

CT=2640.35
CS=2640.32
AC=0.35
AR=0.00

CT=2640.91
CS=2640.51
AC=3.78
AR=0.00

CT=2642.19
CS=2641.84
AC=4.14
AR=0.00

CT=2643.73
CS=2643.37
AC=5.19
AR=0.00

CT=2644.60
CS=2644.13
AC=5.84
AR=0.00

CT=2645.21
CS=2644.89
AC=3.63
AR=0.00

CT=2645.47
CS=2645.52
AC=0.23
AR=0.55

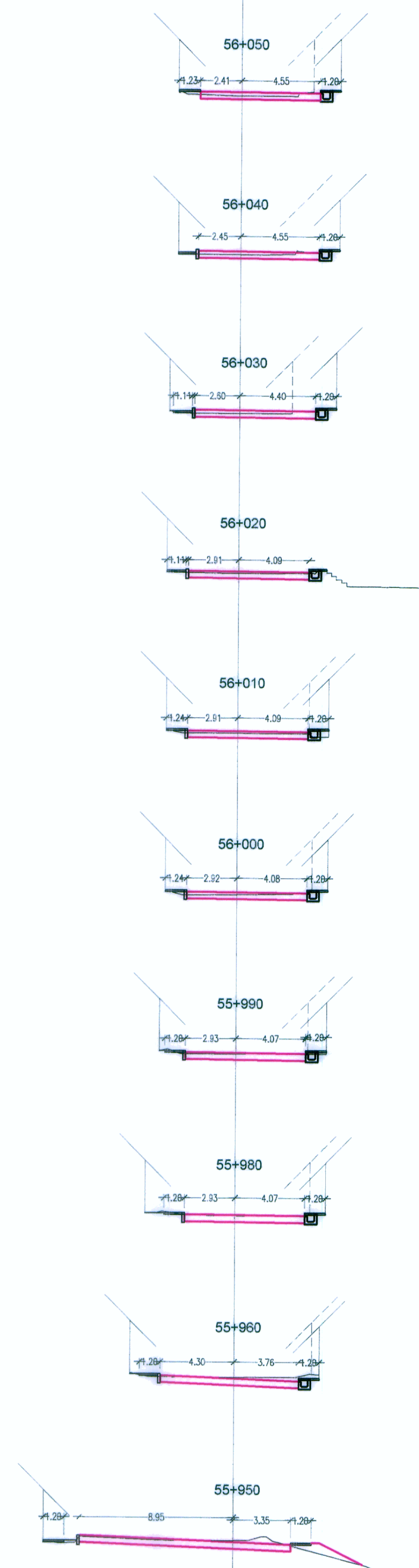
CT=2645.21
CS=2645.23
AC=0.84
AR=0.02

CT=2645.07
CS=2645.09
AC=0.87
AR=0.02

CT=2645.03
CS=2645.52

CT=2644.67
CS=2644.77
AC=0.13
AR=0.84

CT=2643.19
CS=2643.27
AC=0.05
AR=0.57



CT=2647.26
CS=2647.07
AC=1.93
AR=0.00

CT=2646.88
CS=2646.96
AC=1.93
AR=0.00

CT=2646.27
CS=2646.05
AC=1.92
AR=0.00

CT=2645.62
CS=2645.33
AC=2.63
AR=0.00

CT=2644.90
CS=2644.62
AC=2.15
AR=0.00

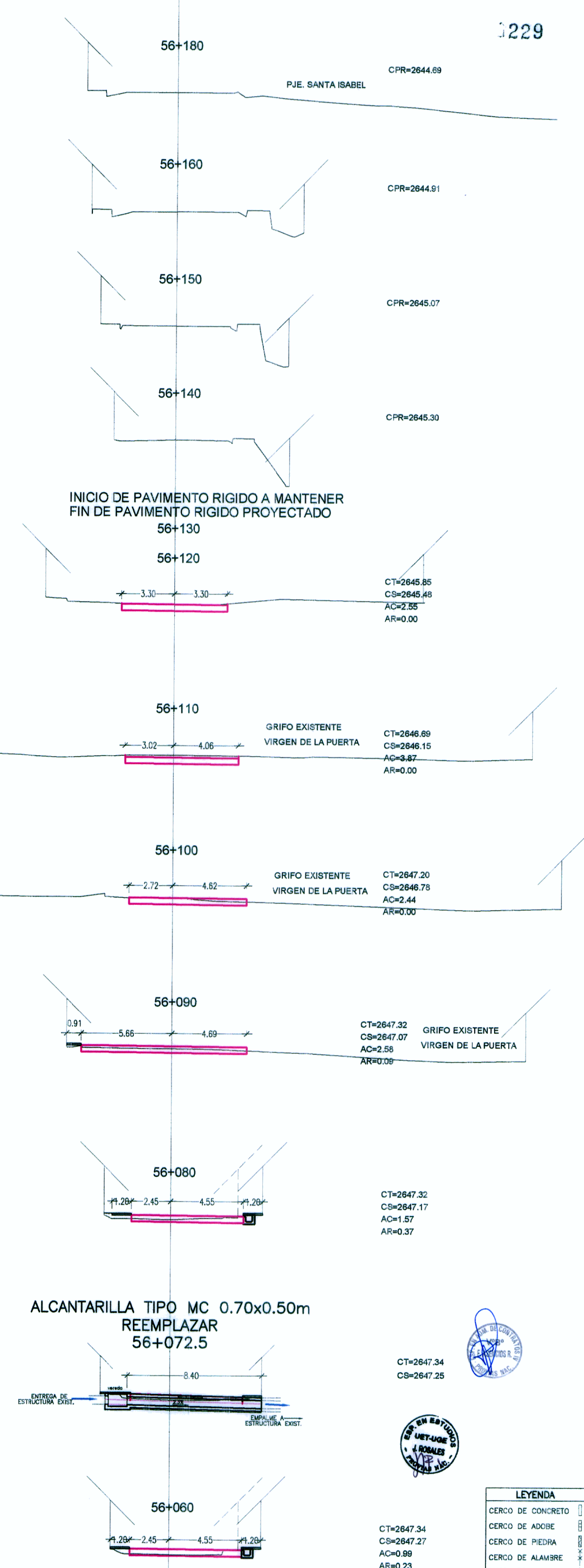
CT=2644.17
CS=2643.90
AC=2.44
AR=0.00

CT=2643.52
CS=2643.18
AC=2.88
AR=0.00

CT=2642.83
CS=2642.47
AC=3.14
AR=0.00

CT=2641.50
CS=2641.03
AC=4.41
AR=0.00

CT=2640.90
CS=2640.41
AC=5.25
AR=0.00



CPR=2644.89

CPR=2644.91

CPR=2645.07

CPR=2645.30

CT=2645.85
CS=2645.48
AC=2.85
AR=0.00

CT=2646.89
CS=2646.15
AC=3.87
AR=0.00

CT=2647.20
CS=2646.78
AC=2.44
AR=0.00

CT=2647.32
CS=2647.07
AC=2.58
AR=0.09

CT=2647.32
CS=2647.17
AC=1.57
AR=0.37

CT=2647.34
CS=2647.25

CT=2647.34
CS=2647.27
AC=0.89
AR=0.23

LEYENDA

CERCO DE CONCRETO

CERCO DE ADOBES

CERCO DE PIEDRA

CERCO DE ALAMBRE

CERCO DE MADERA

LIMITE DE PROPIEDAD

LEYENDA

CR= COTA TERRENO

CT= COTA RASANTE

AC= AREA DE CORTE

AR= AREA DE RELLENO

CPR=PAVIMENTO RIGIDO

HOB CONSULTORES S.A.

ING. CESAR EDISON GUEVARA MONTAÑANA
DIRECCIÓN DE ESTUDIOS
CIP N° 54326



Elaborado: ING. CESAR GUEVARA M. Aprobación:

Especialista: ING. JUAN GONZALEZ DEL AGUILA

Revisión:

Proceso y Ploteo: M. CHAPLOQUE

REVISIONES	
N°	FECHA

ESTUDIO DEFINITIVO PARA EL MEJORAMIENTO DE LA CARRETERA: SAN MARCOS-CAJABAMBA-SAUSACOCCHA

TRAMO: SAN MARCOS-CAJABAMBA

CONTRATO N° 008-2011-MTC/20

SECCIONES TRANSVERSALES

KM 55+780 - KM 56+180

FECHA: MAYO 2012

ESCALA FORMATO A1: 1/200

ESCALA FORMATO A3: 1/400

008-11-SE-146