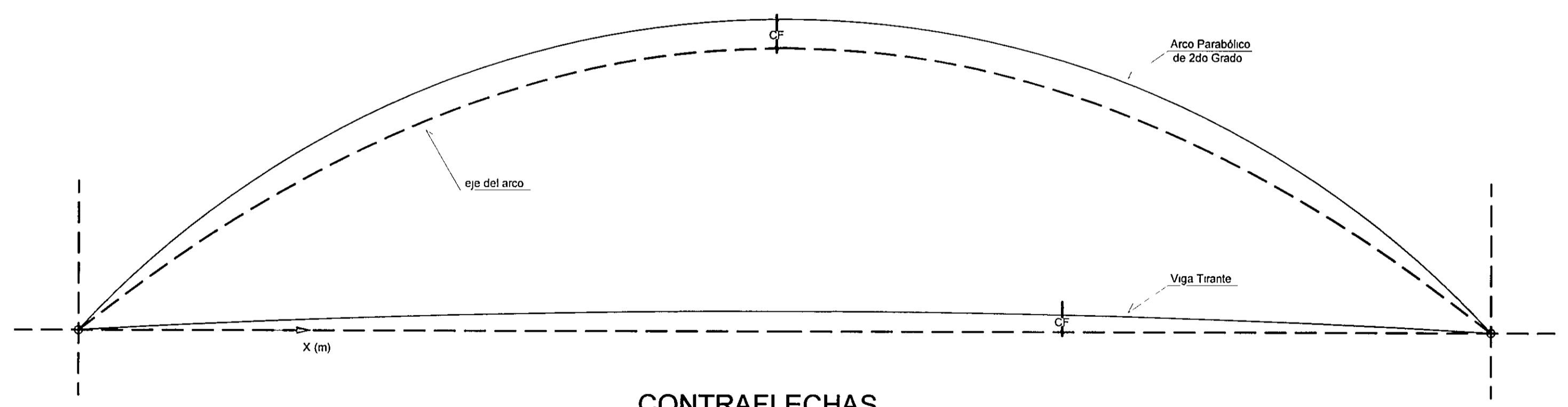


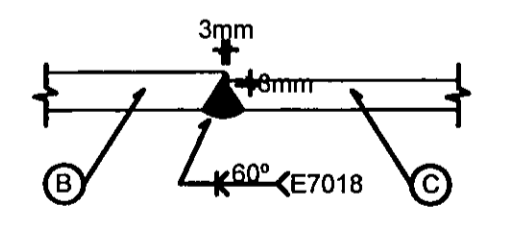
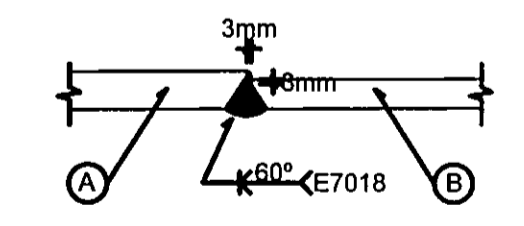
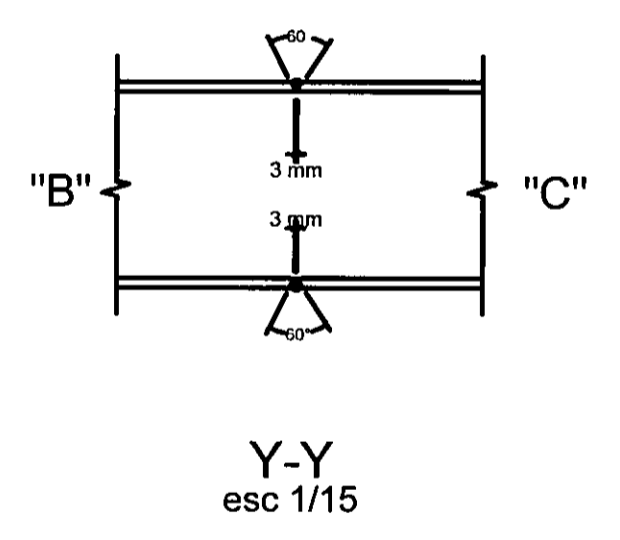
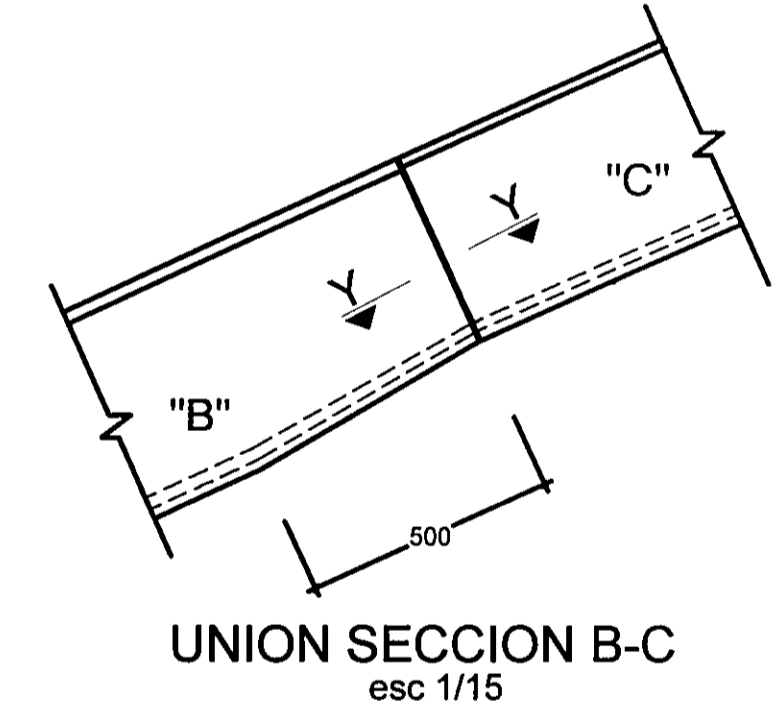
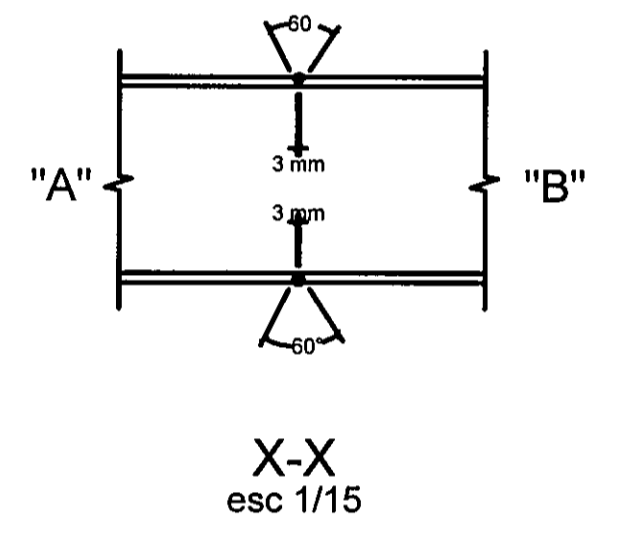
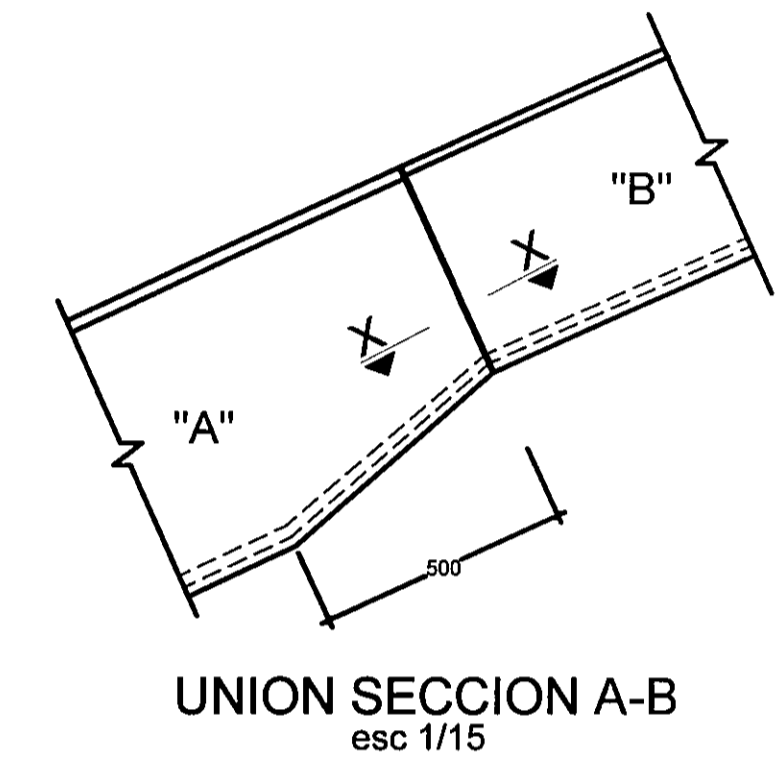
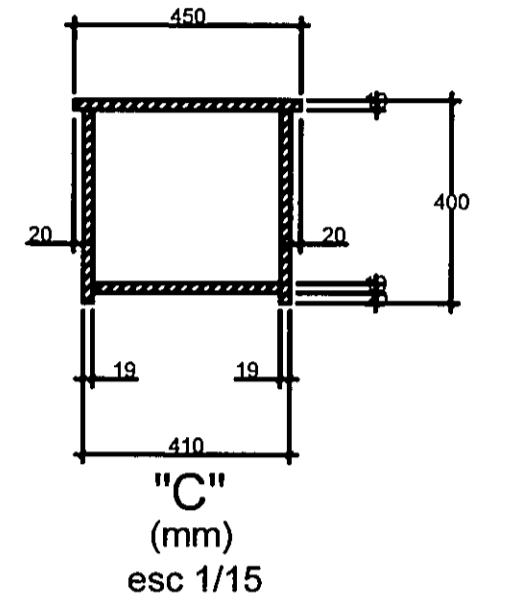
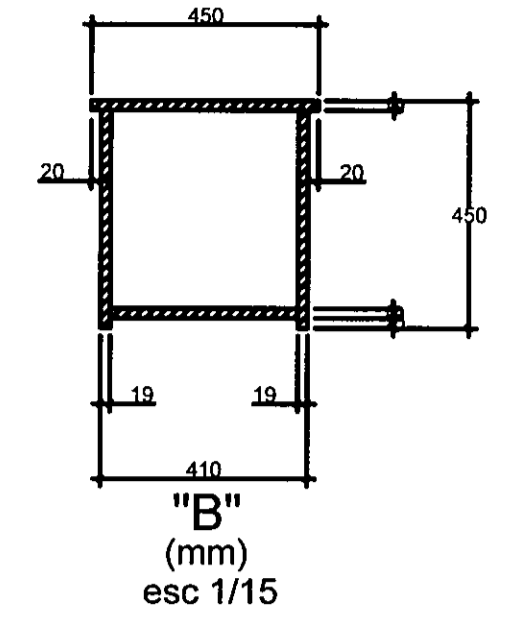
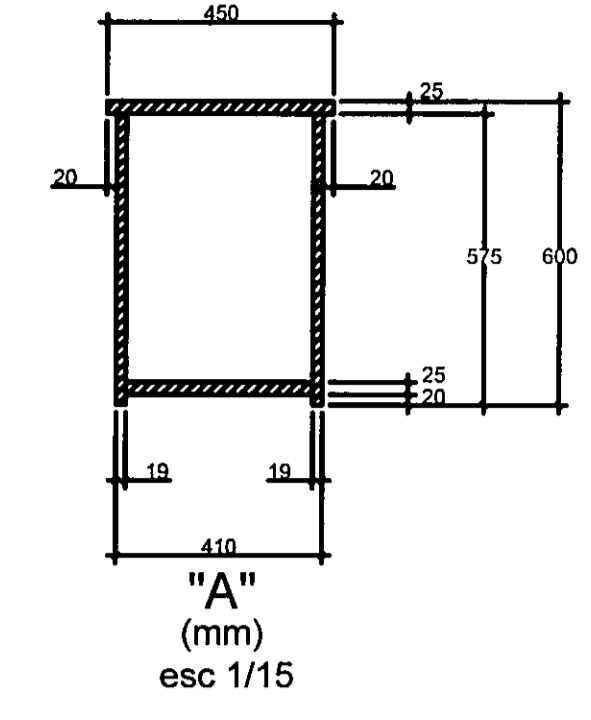
**GEOMETRIA DEL ARCO**  
esc 1/150

X (m)	0 00	5 00	10 00	15 00	20 00	25 00	30 00	35 00	40 00	45 00	50 00	55 00	60 00	65 00	70 00
f (m) (a ejes)	0 00	3 71	6 86	9 43	11 43	12 86	13 71	14 00	13 71	12 86	11 43	9 43	6 86	3 71	0 00
SECCION ARCO	A	A	A	B	B	B	C	C	B	B	B	A	A	A	

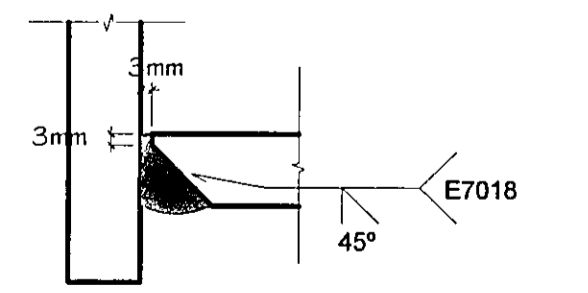
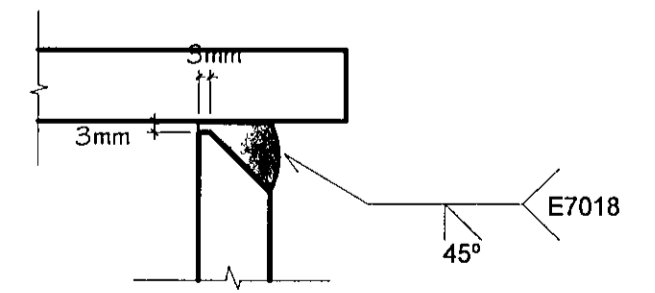


**CONTRAFLECHAS**

X (m)	0 00	5 00	10 00	15 00	20 00	25 00	30 00	35 00	40 00	45 00	50 00	55 00	60 00	65 00	70 00
ARCO	0 00	2 65	4 90	6 73	8 16	9 18	9 80	10 00	9 80	9 18	8 16	6 73	4 90	2 65	0 00
VIGA TIRANTE	0 00	3 98	7 35	10 10	12 24	13 78	14 69	15 00	14 69	13 78	12 24	10 10	7 35	3 98	0 00



UNION SECCIONES ARCO  
esc 1/5



SOLDADURA ALA SUPERIOR ARCO  
esc 1/2

SOLDADURA ALA INFERIOR ARCO  
esc 1/2

DETALLE DE UNION DE SECCIONES DE ARCO

Ing. Elsa Carrera Cabrera  
Espec. Estructuras y Obras de Arte  
CIP 13214

Ing. Manuel O. Torres Rosas  
Jefe de Estudio  
CIP 15227