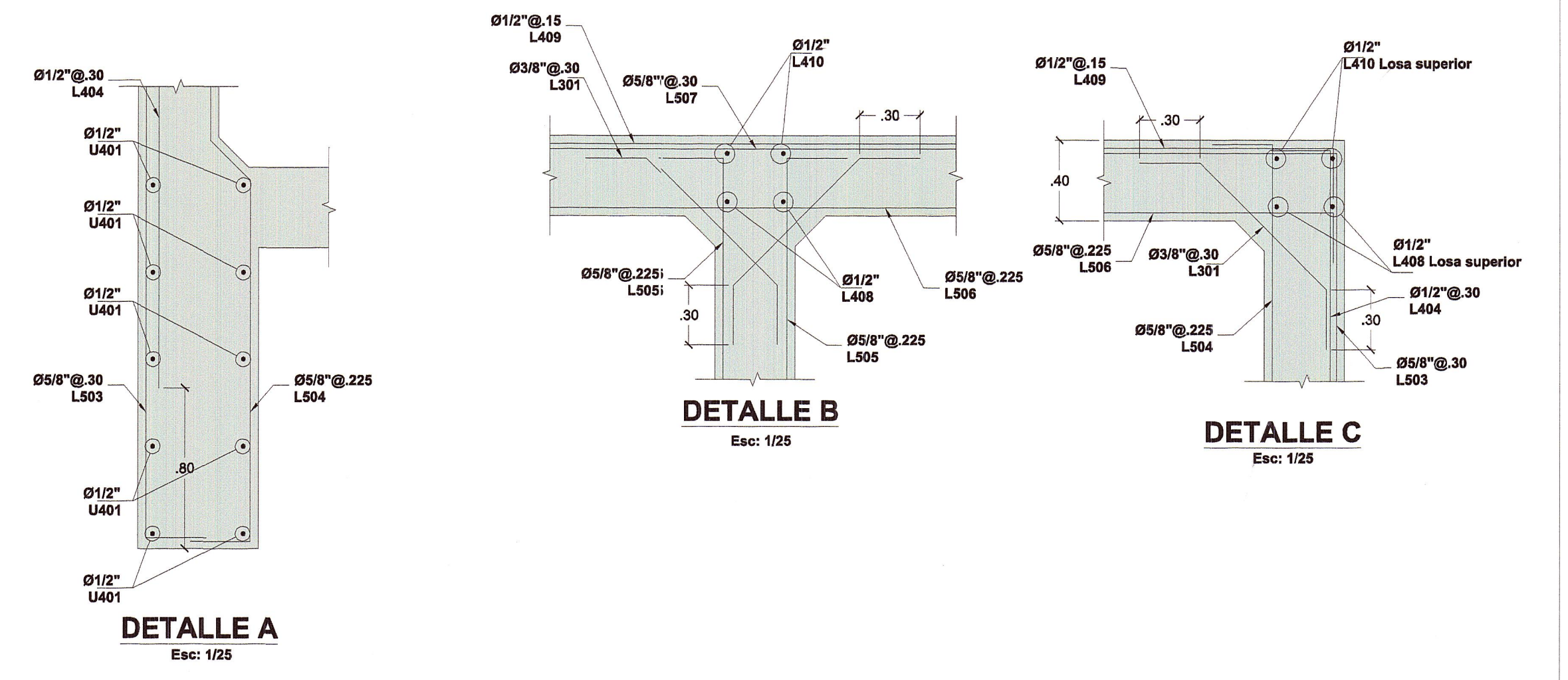


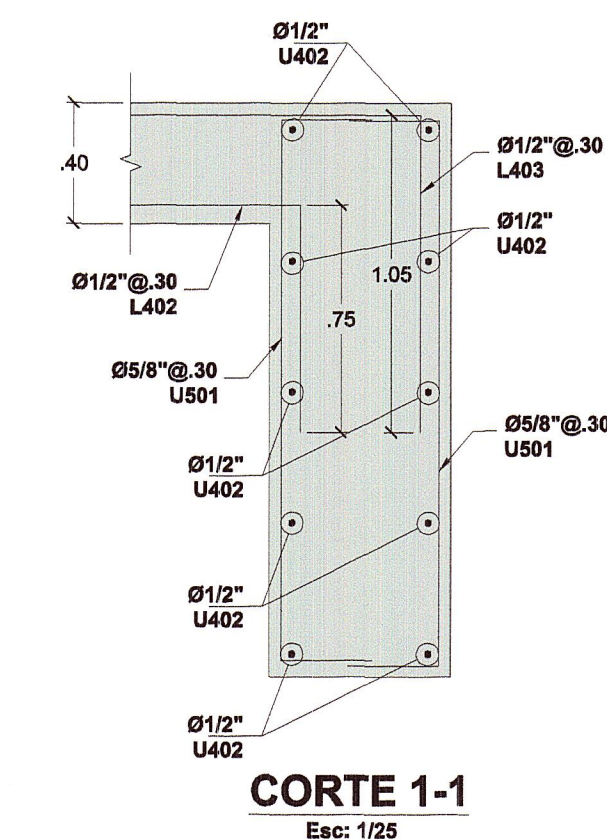
LOSA SUPERIOR (capa superior) LOSA INFERIOR (capa superior)
 LOSA SUPERIOR (capa inferior) LOSA INFERIOR (capa inferior)
PLANTA ARMADURA ALCANTARILLA
 Esc: 1/50



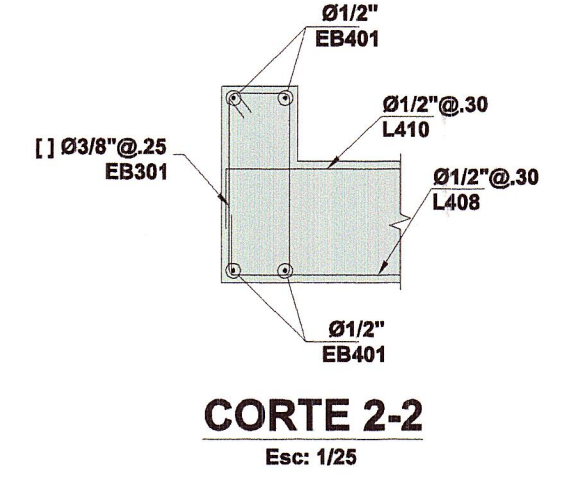
DETALLE A
 Esc: 1/25

DETALLE B
 Esc: 1/25

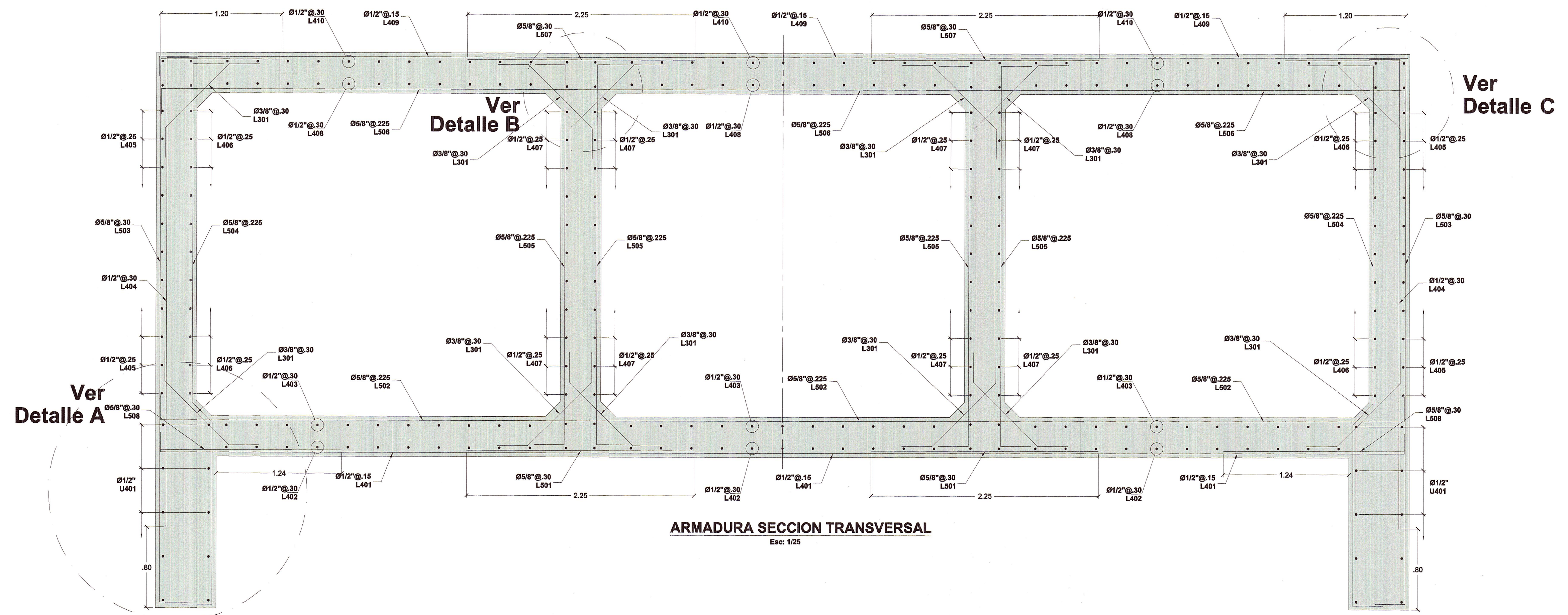
DETALLE C
 Esc: 1/25



CORTE 1-1
 Esc: 1/25



CORTE 2-2
 Esc: 1/25



ARMADURA SECCION TRANSVERSAL
 Esc: 1/25

METRADO ARMADURA ALCANTARILLA
 TIPO A2

TIPO	Ø	FORMA	LONG. POR PIEZA (m)	Nro DE PIEZAS
L501	5/8"	2.25	2.25	110
L502	5/8"	25 12.30 25	12.80	67
L503	5/8"	1.30 5.40 25	6.85	110
L504	5/8"	20 3.25 20 1.80	5.90	144
L505	5/8"	25 3.90 25	4.40	288
L506	5/8"	25 12.30 25	12.80	70
L507	5/8"	2.25	2.25	110
L508	5/8"	1.80	1.80	110
L401	1/2"	20 12.30 20	12.70	100
L402	1/2"	75 15.80 75	17.40	37
L403	1/2"	1.05 15.80 1.05	18.00	37
L404	1/2"	4.85 0.30	4.95	110
L405	1/2"	20 15.80 20	16.30	22
L406	1/2"	20 15.80 20	16.30	22
L407	1/2"	20 15.80 20	16.30	44
L408	1/2"	20 15.80 20	16.30	41
L409	1/2"	20 12.30 20	12.70	105
L410	1/2"	20 15.80 20	16.30	41
L301	3/8"	30 30 30	1.50	660
U501	5/8"	25 1.80 25	2.30	156
U401	1/2"	20 15.80 20	16.30	20
U402	1/2"	20 12.30 20	12.70	20
EB401	1/2"	20 12.30 20	12.70	8
EB301	3/8"	30 1.80	1.84	102

MISRAEL RICALDE TORRES
 INGENIERO CIVIL
 REG. CIP 52615
 JEFE DE ESTUDIO

