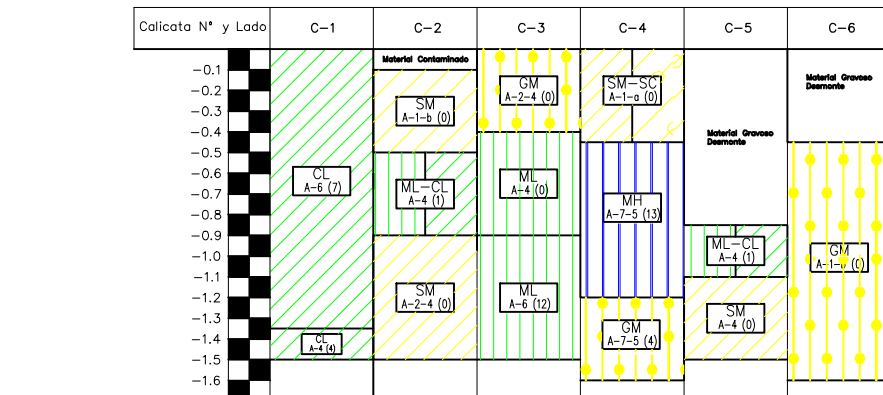


# Perfil Estratigráfico de Suelos Eje Izquierdo



| CALZADA IZQUIERDA        |           |           |           |           |           |           |
|--------------------------|-----------|-----------|-----------|-----------|-----------|-----------|
|                          | CI-1      | CI-2      | CI-3      | CI-4      | CI-5      | CI-6      |
| PROGRESIVA DE CAMPO      | 0+000     | 1+027     | 2+065     | 2+789     | 3+300     | 3+861     |
| PROGRESIVAS ACTUALIZADAS | 0+046     | 1+075     | 2+112     | 2+829     | 3+367     | 3+918     |
| COTAS DE TERRENO         | 22.30     | 23.17     | 27.85     | 26.19     | 26.05     | 22.72     |
| COTAS DE SUBRASANTE      | 21.450    | 22.320    | 27.250    | 25.445    | 25.305    | 21.975    |
| MUESTRA                  | M-1       | M-1       | M-1       | M-1       | M-1       | M-1       |
| PROFUNDIDAD              | 0.00-1.35 | 0.10-0.50 | 0.00-0.40 | 0.00-0.45 | 0.85-1.10 | 0.45-1.60 |
| PASA MALLA N°4 (%)       | 100       | 72        | 63        | 66        | 100       | 58        |
| PASA MALLA N°10 (%)      | 99        | 60        | 57        | 44        | 98        | 56        |
| PASA MALLA N°40 (%)      | 93        | 48        | 48        | 26        | 92        | 44        |
| PASA MALLA N°200 (%)     | 61        | 21        | 29        | 15        | 60        | 24        |
| L.L. (%)                 | 33        | NP        | 21        | 22        | 22        | NP        |
| L.P. (%)                 | 17        | NP        | NP        | 4         | 16        | NP        |
| I.P. (%)                 | 16        | NP        | NP        | 18        | 6         | NP        |
| CLASIFICACION SUCS       | CL        | SM        | GM        | SM-SC     | ML-CL     | GM        |
| CLASIFICACION AASHTO     | A-6(7)    | A-1-b(0)  | A-2-48(0) | A-1-a(0)  | A-4(1)    | A-1-b(0)  |
| CBR AL 100%              | 11.5      |           | 86.2      |           |           | 94.8      |
| CBR AL 95%               | 6.7       |           | 44.2      |           |           | 47.8      |
| HUMEDAD (%)              | 16.8      | 3.4       | 4.6       | 3.4       |           | 7.7       |
| MUESTRA                  | M-2       | M-2       | M-2       | M-2       | M-2       | M-2       |
| PROFUNDIDAD              | 1.35-1.50 | 0.50-0.90 | 0.40-0.90 | 0.45-1.20 | 1.10-1.50 |           |
| PASA MALLA N°4 (%)       | 100       | 100       | 100       | 91        | 100       |           |
| PASA MALLA N°10 (%)      | 100       | 92        | 92        | 84        | 98        |           |
| PASA MALLA N°40 (%)      | 99        | 81        | 99        | 75        | 97        |           |
| PASA MALLA N°200 (%)     | 70        | 57        | 83        | 66        | 41        |           |
| L.L. (%)                 | 27        | 23        | 25        | 51        | NP        |           |
| L.P. (%)                 | 18        | 18        | NP        | 30        | NP        |           |
| I.P. (%)                 | 9         | 5         | NP        | 21        | NP        |           |
| CLASIFICACION SUCS       | CL        | ML-CL     | ML        | MH        | SM        |           |
| CLASIFICACION AASHTO     | A-4(4)    | A-4(1)    | A-4(0)    | A-7-5(13) | A-4(0)    |           |
| CBR AL 100%              | 13.8      |           | 12.7      |           |           |           |
| CBR AL 95%               | 7.6       |           | 8         |           |           |           |
| HUMEDAD (%)              | 20.8      | 8.4       | 14.4      | 24.8      | 10.9      |           |
| MUESTRA                  | M-3       | M-3       | M-3       | M-3       | M-3       | M-3       |
| PROFUNDIDAD              |           | 0.9-1.50  | 0.9-1.50  | 1.20-1.60 |           |           |
| PASA MALLA N°4 (%)       |           | 100       | 100       | 66        |           |           |
| PASA MALLA N°10 (%)      |           | 94        | 100       | 58        |           |           |
| PASA MALLA N°40 (%)      |           | 88        | 99        | 49        |           |           |
| PASA MALLA N°200 (%)     |           | 32        | 97        | 42        |           |           |
| L.L. (%)                 |           | NP        | 36        | 55        |           |           |
| L.P. (%)                 |           | NP        | 25        | 35        |           |           |
| I.P. (%)                 |           | NP        | 11        | 20        |           |           |
| CLASIFICACION SUCS       |           | SM        | ML        | GM        |           |           |
| CLASIFICACION AASHTO     |           | A-2-4(0)  | A-6(12)   | A-7-5(4)  |           |           |
| CBR AL 100%              |           |           | 2.1       |           |           |           |
| CBR AL 95%               |           |           | 1.4       |           |           |           |
| HUMEDAD (%)              |           | 8.6       | 26        | 15        |           |           |

| LEYENDA | GRAVA BIEN GRAJADA | GRAVA POBREMENTE GRAJADA | GRAVA LIMSA | GRAVA ARCILLOSA | ARENA BIEN GRAJADA | ARENA POBREMENTE GRAJADA | ARENA LIMSA | ARENA ARCILLOSA | ARCILLA BAJA COMPRESIBILIDAD | LIMO BAJA COMPRESIBILIDAD | LIMO ALTA COMPRESIBILIDAD | ROCA FRACTURADA | TERRENO VEGETAL | ARCILLA DE ALTA PLASTICIDAD |
|---------|--------------------|--------------------------|-------------|-----------------|--------------------|--------------------------|-------------|-----------------|------------------------------|---------------------------|---------------------------|-----------------|-----------------|-----------------------------|
|         |                    |                          |             |                 |                    |                          |             |                 |                              |                           |                           |                 |                 |                             |

| REVISIONES |       |             |
|------------|-------|-------------|
| N°         | FECHA | DESCRIPCION |
|            |       |             |
|            |       |             |