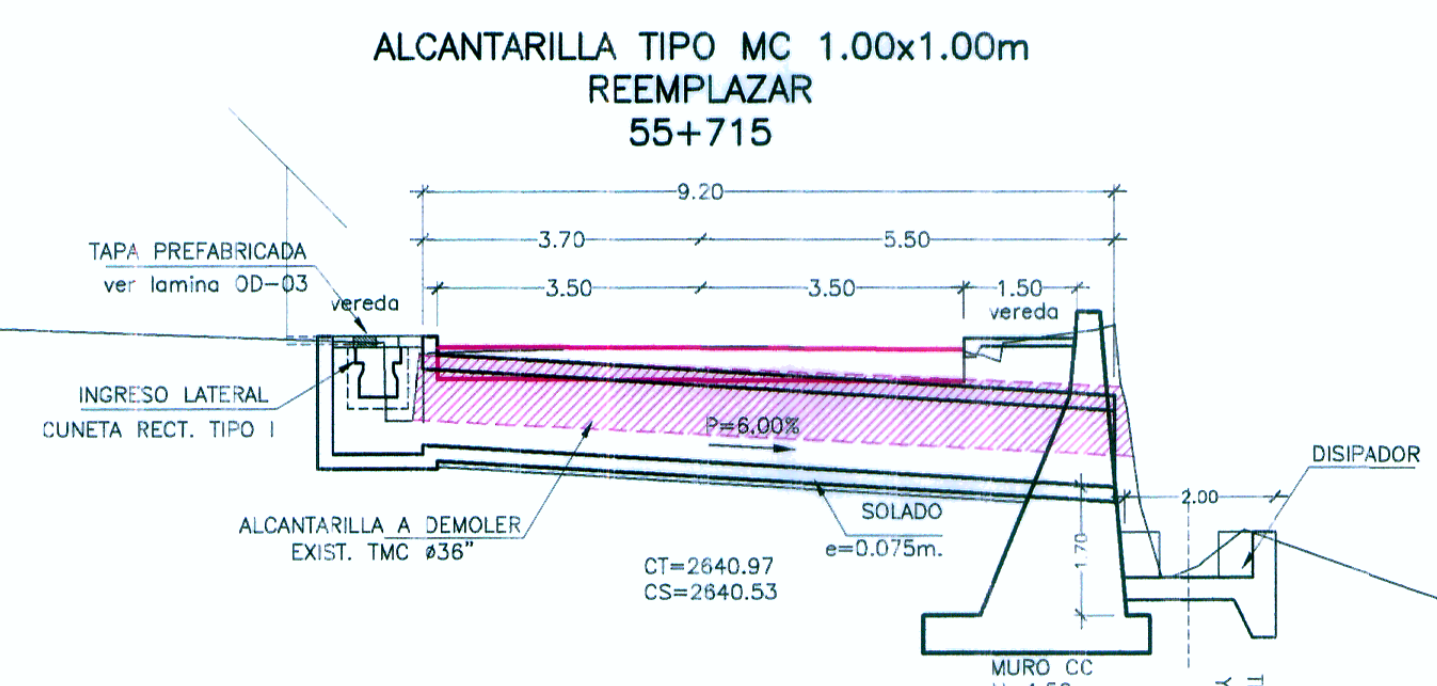
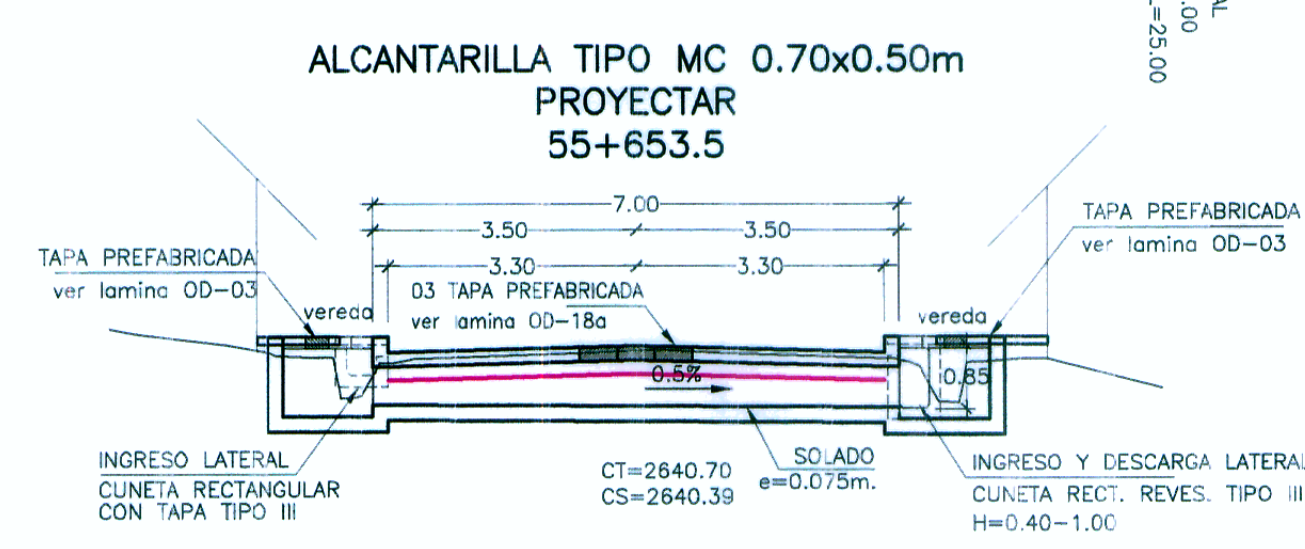


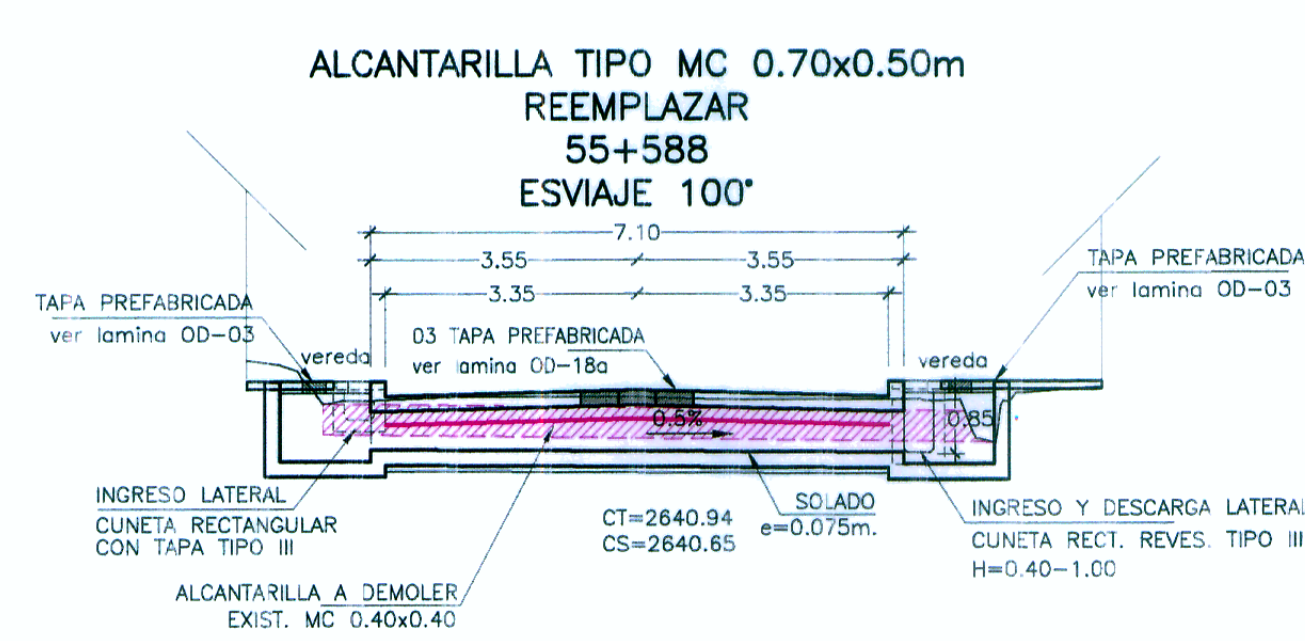
CE = 2644.74
 CSA = 2644.57
 CAB. ENT. = CAJA RECEPTORA
 CAB. SAL. = EMPALME A ESTRUCTURA EXIST.
 SX = 1.0%
 LONG.(MC) = 10.45m.



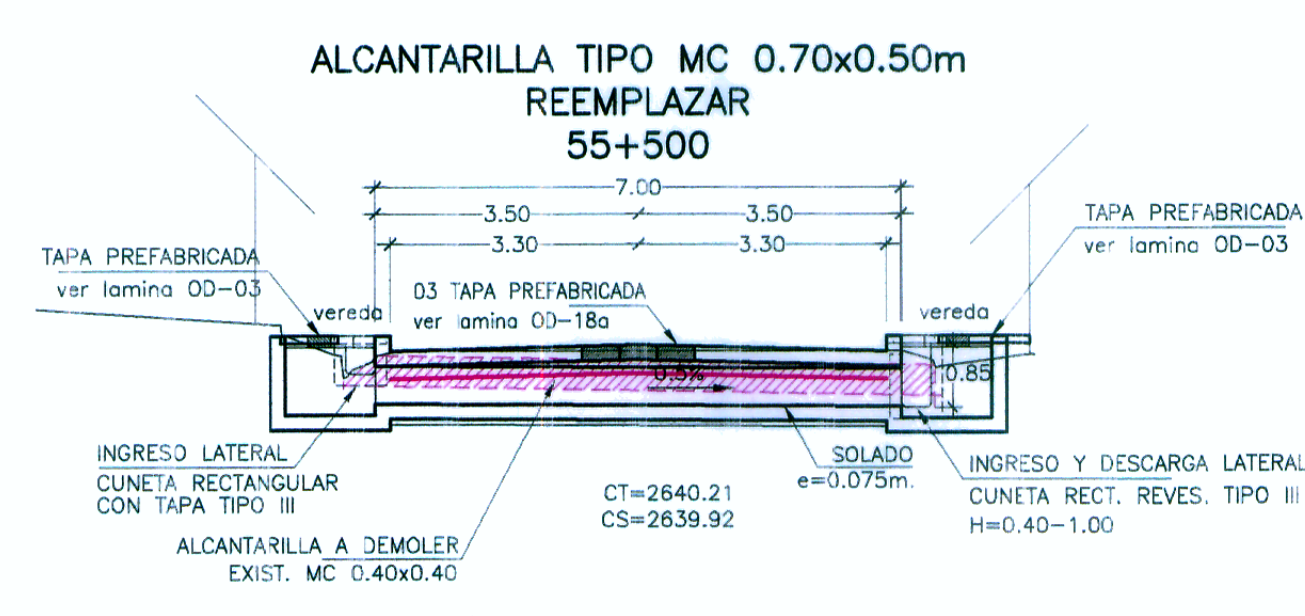
CE = 2639.89
 CSA = 2639.14
 CAB. ENT. = CAJA RECEPTORA
 CAB. SAL. = MURO CABEZAL
 SX = 6.00%
 LONG.(MC) = 9.20m.



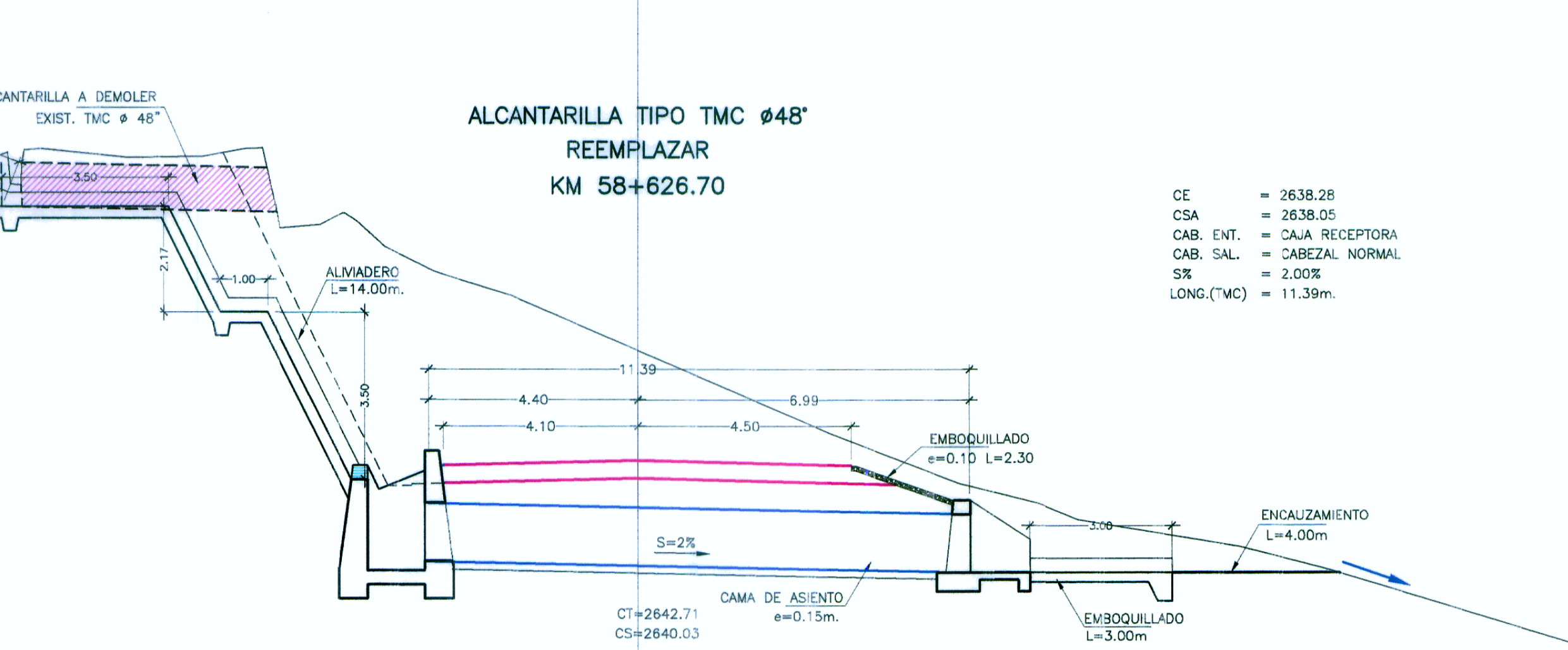
CE = 2640.13
 CSA = 2640.10
 CAB. ENT. = CAJA RECEPTORA
 CAB. SAL. = CAJA RECEPTORA
 SX = 0.50%
 LONG.(MC) = 7.00m.



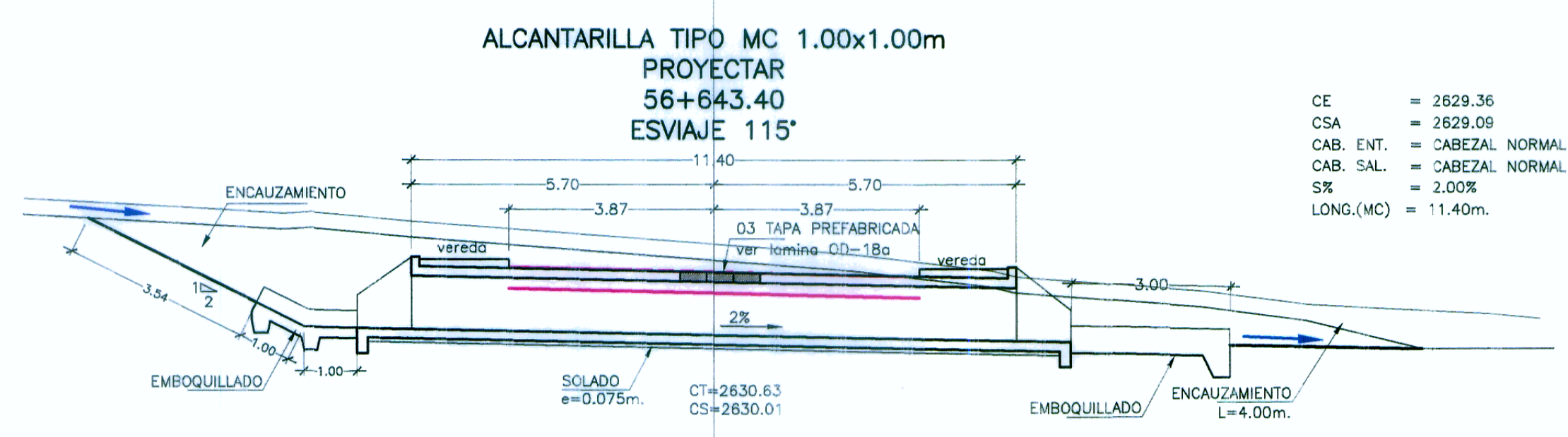
CE = 2640.25
 CSA = 2640.21
 CAB. ENT. = CAJA RECEPTORA
 CAB. SAL. = CAJA RECEPTORA
 SX = 0.50%
 LONG.(MC) = 7.10m.



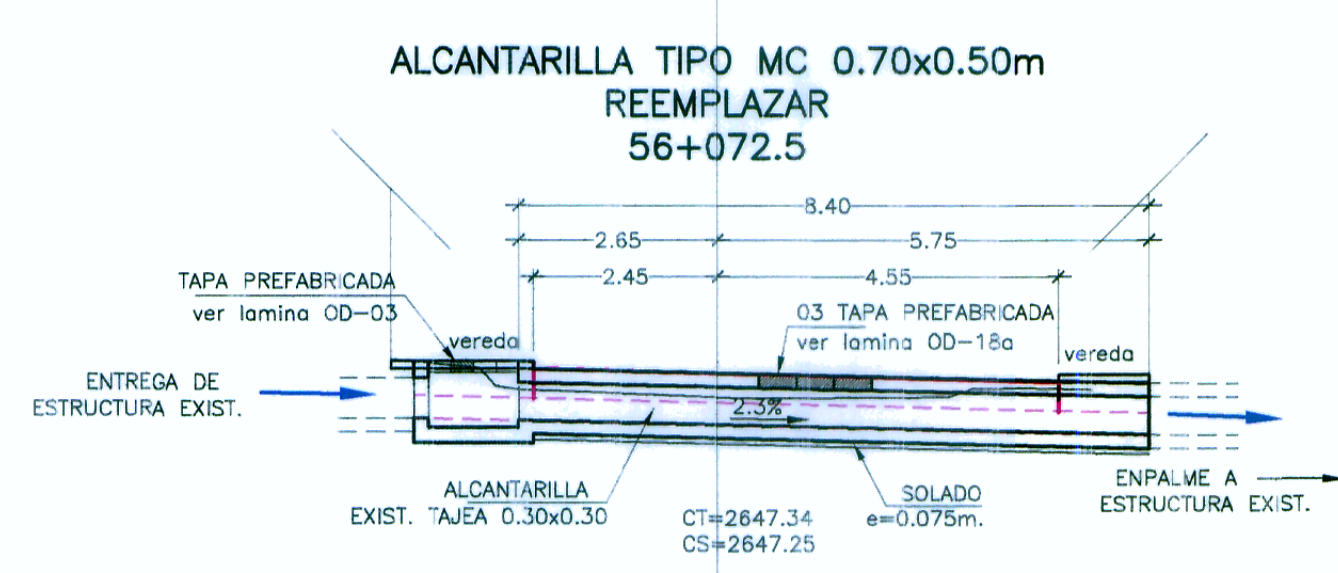
CE = 2639.52
 CSA = 2639.48
 CAB. ENT. = CAJA RECEPTORA
 CAB. SAL. = CAJA RECEPTORA
 SX = 0.50%
 LONG.(MC) = 7.00m.



CE = 2638.28
 CSA = 2638.05
 CAB. ENT. = CAJA RECEPTORA
 CAB. SAL. = CABEZAL NORMAL
 SX = 2.00%
 LONG.(MC) = 11.39m.



CE = 2629.36
 CSA = 2629.09
 CAB. ENT. = CABEZAL NORMAL
 CAB. SAL. = CABEZAL NORMAL
 SX = 2.00%
 LONG.(MC) = 11.40m.



CE = 2647.04
 CSA = 2646.84
 CAB. ENT. = CAJA RECEPTORA
 CAB. SAL. = EMPALME A ESTRUCTURA EXIST.
 SX = 2.30%
 LONG.(MC) = 8.40m.



HOB CONSULTORES S.A.

HOB CONSULTORES S.A.

HOB CONSULTORES S.A.

ING. WILMAN RONI VENEROS GUTIERREZ
 Esp. Hidrología e Hidráulica
 CIP N° 87414

REVISIONES	
N°	FECHA DESCRIPCION