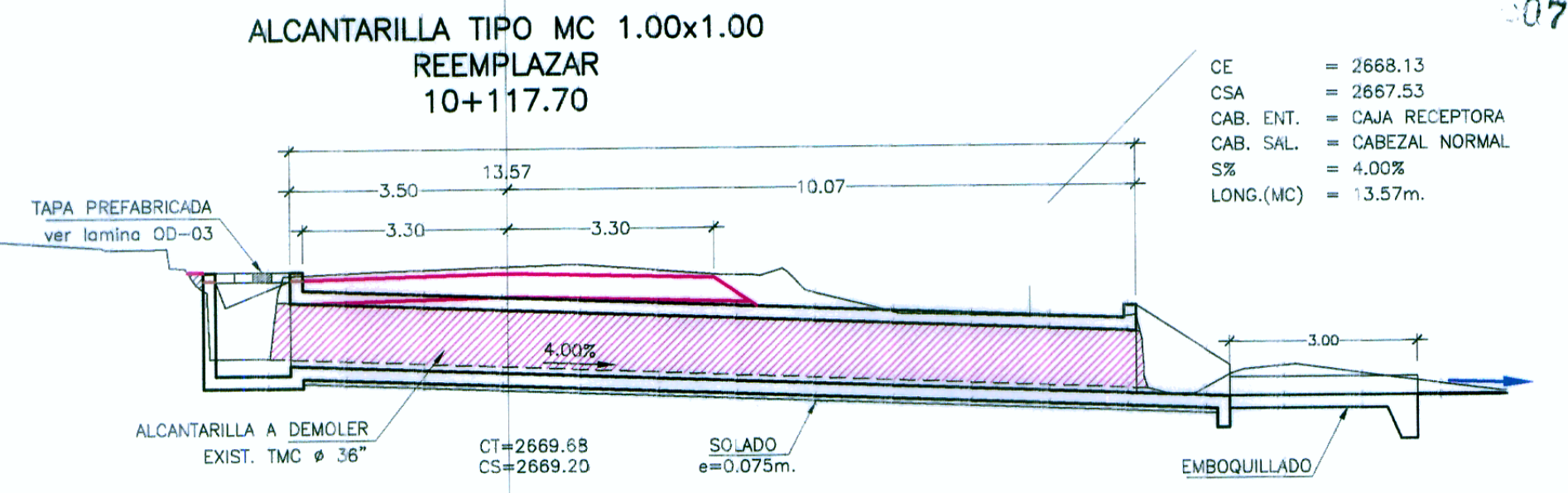
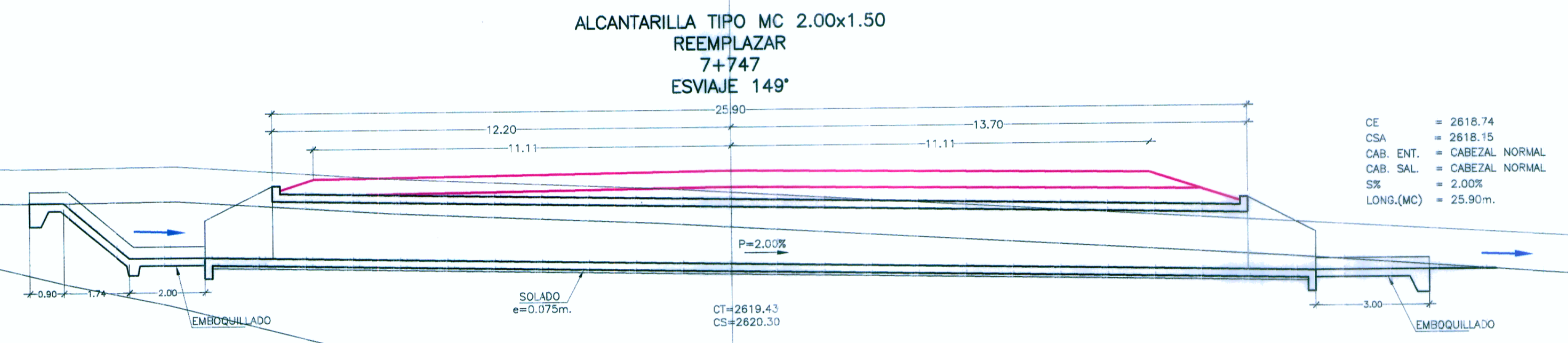


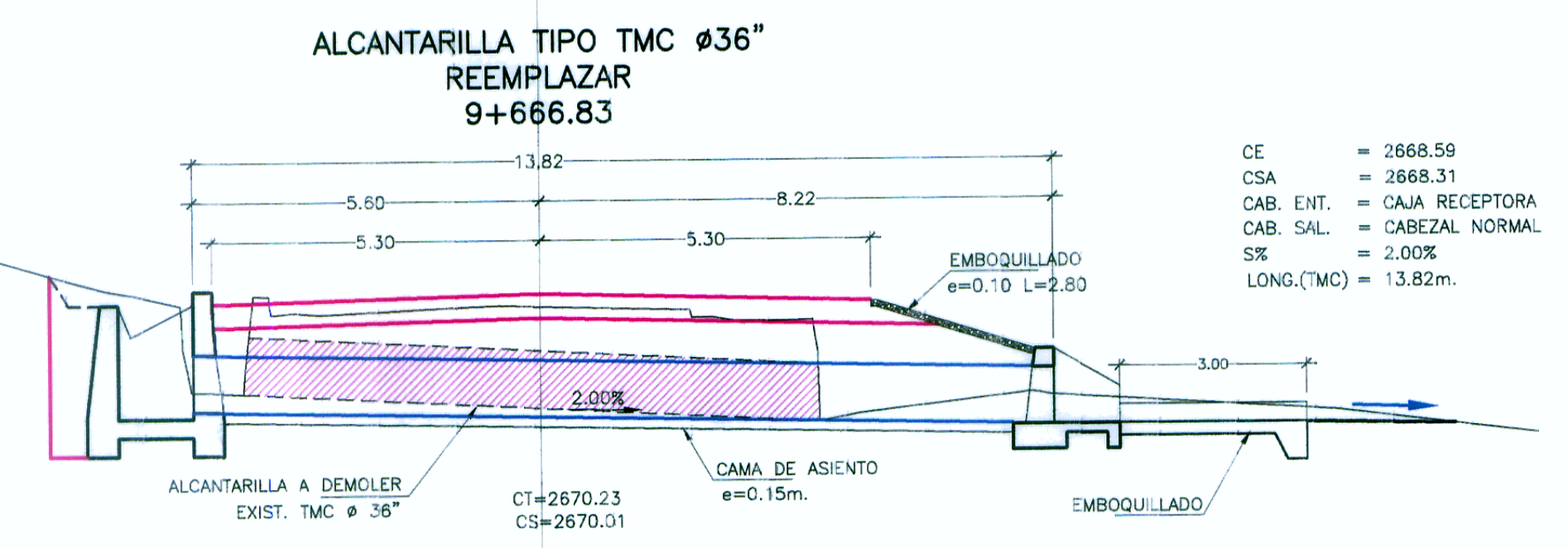
CE = 2620.39  
 CSA = 2620.26  
 CAB. ENT. = CAJA RECEPTORA  
 CAB. SAL. = CABEZAL NORMAL  
 S% = 1.00%  
 LONG.(MC) = 11.75m.



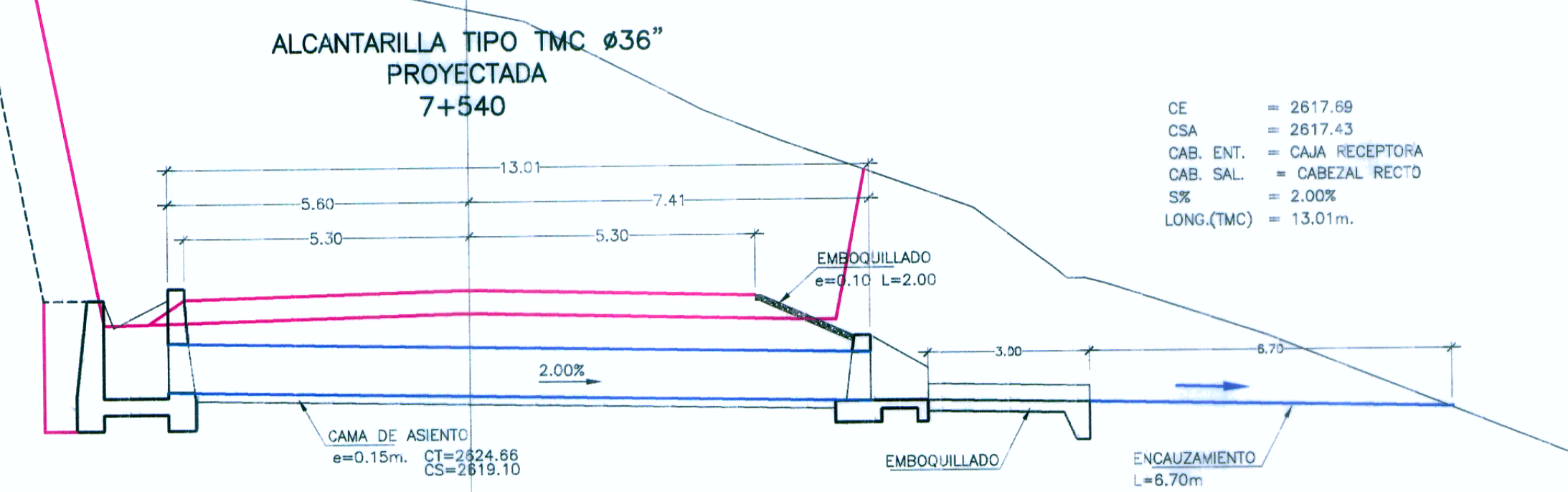
CE = 2668.13  
 CSA = 2667.53  
 CAB. ENT. = CAJA RECEPTORA  
 CAB. SAL. = CABEZAL NORMAL  
 S% = 4.00%  
 LONG.(MC) = 13.57m.



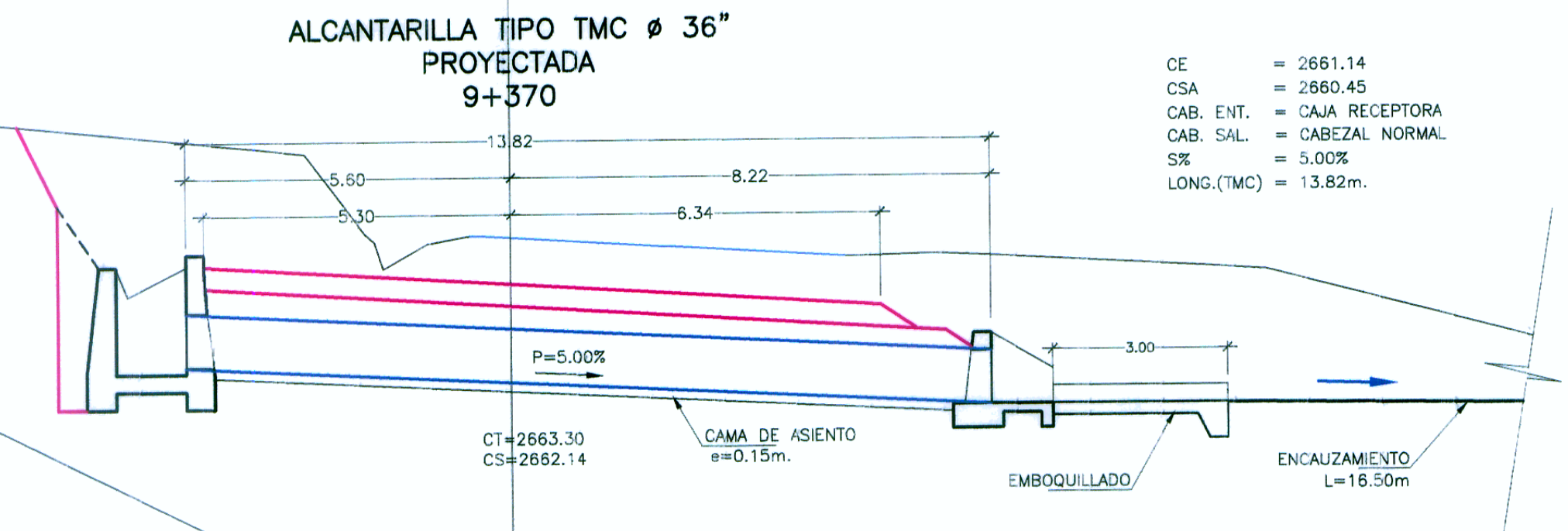
CE = 2618.74  
 CSA = 2618.15  
 CAB. ENT. = CABEZAL NORMAL  
 CAB. SAL. = CABEZAL NORMAL  
 S% = 2.00%  
 LONG.(MC) = 25.90m.



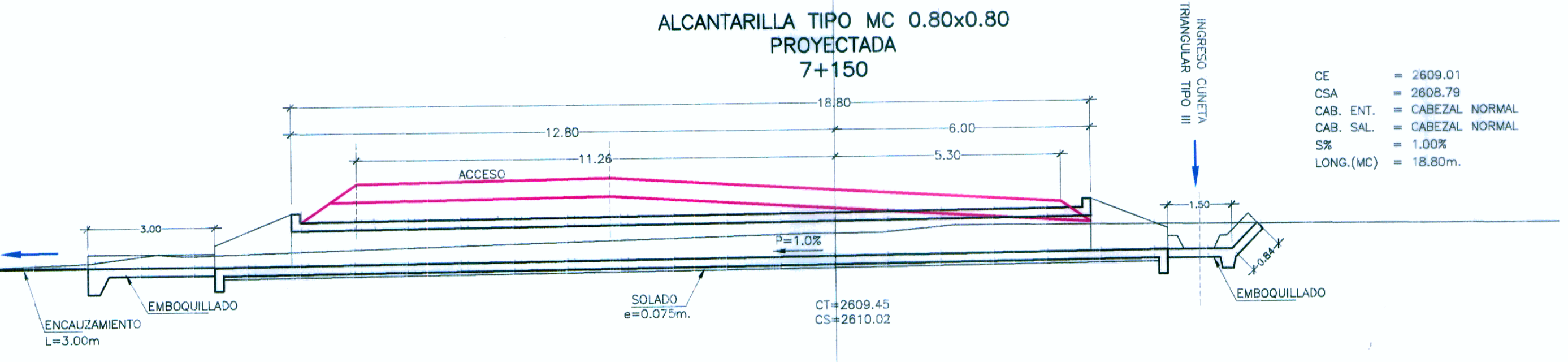
CE = 2668.59  
 CSA = 2668.31  
 CAB. ENT. = CAJA RECEPTORA  
 CAB. SAL. = CABEZAL NORMAL  
 S% = 2.00%  
 LONG.(TMC) = 13.82m.



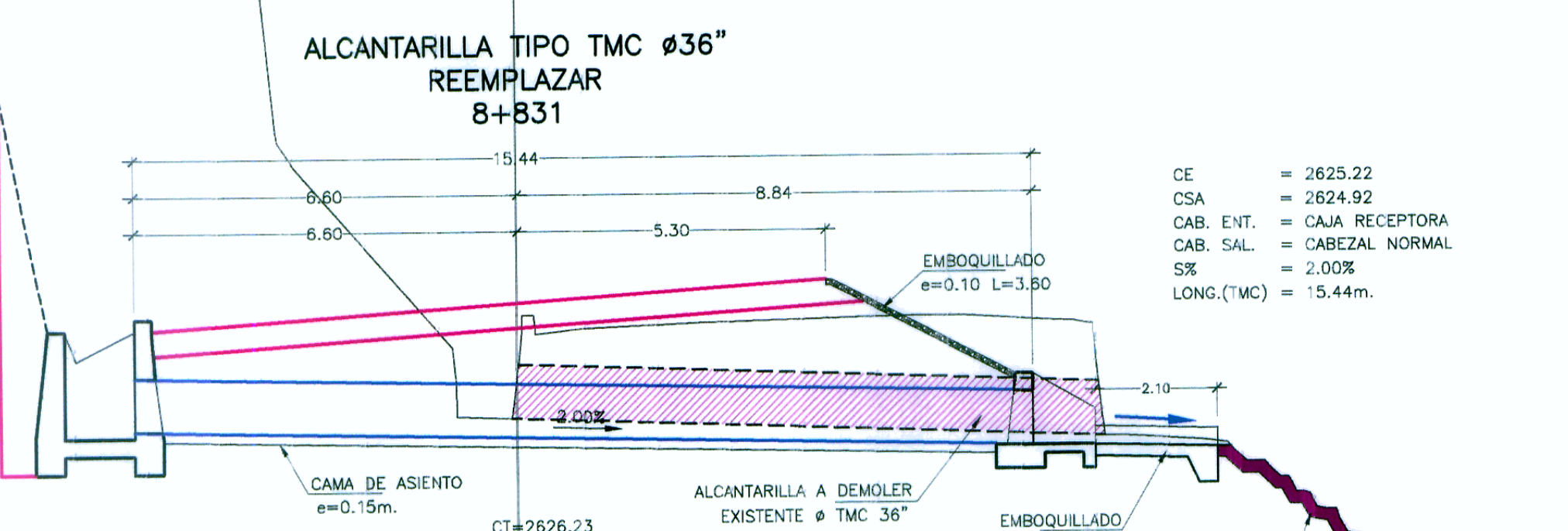
CE = 2617.69  
 CSA = 2617.43  
 CAB. ENT. = CAJA RECEPTORA  
 CAB. SAL. = CABEZAL RECTO  
 S% = 2.00%  
 LONG.(TMC) = 13.01m.



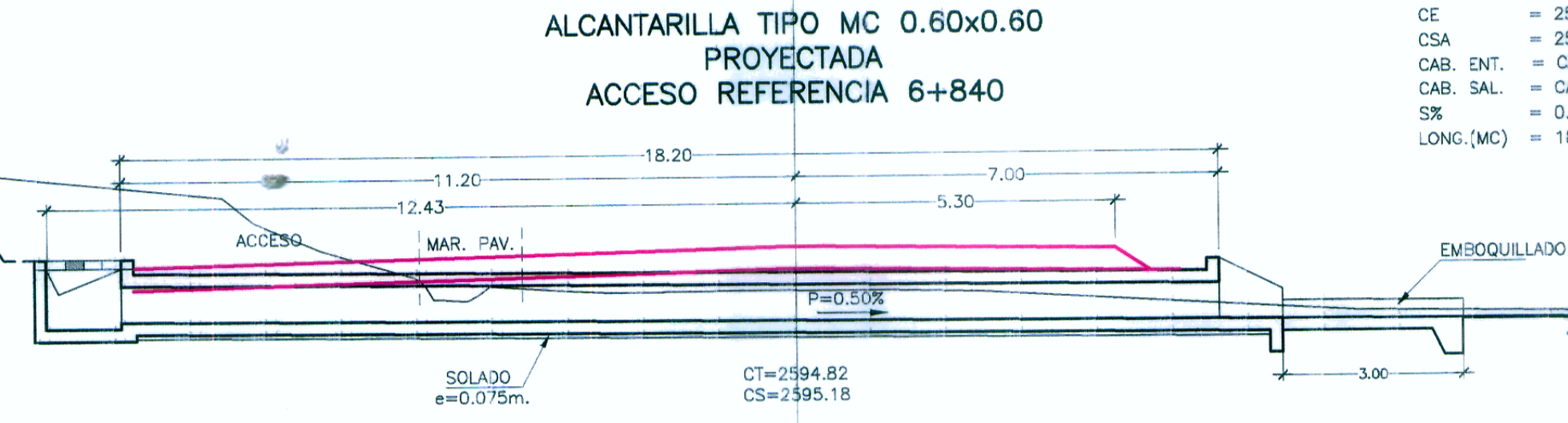
CE = 2661.14  
 CSA = 2660.45  
 CAB. ENT. = CAJA RECEPTORA  
 CAB. SAL. = CABEZAL NORMAL  
 S% = 5.00%  
 LONG.(TMC) = 13.82m.



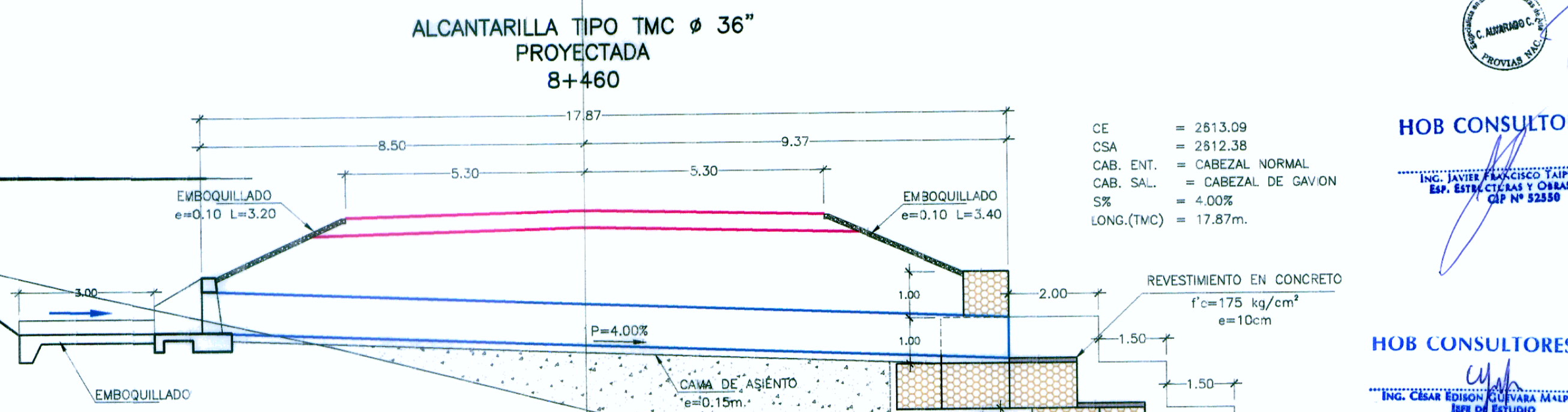
CE = 2609.01  
 CSA = 2608.79  
 CAB. ENT. = CABEZAL NORMAL  
 CAB. SAL. = CABEZAL NORMAL  
 S% = 1.00%  
 LONG.(MC) = 18.80m.



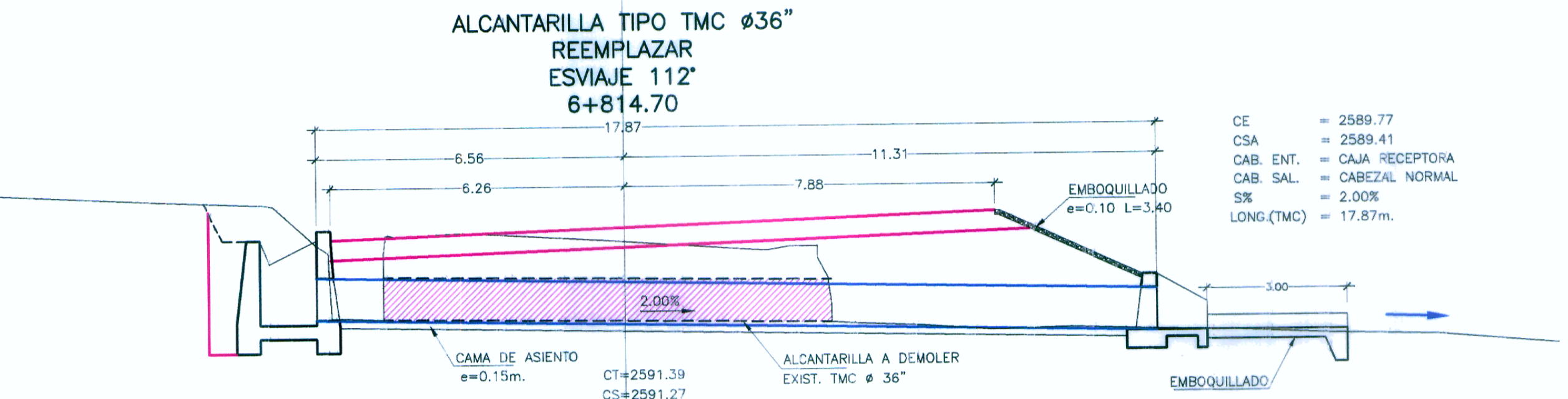
CE = 2625.22  
 CSA = 2624.92  
 CAB. ENT. = CAJA RECEPTORA  
 CAB. SAL. = CABEZAL NORMAL  
 S% = 2.00%  
 LONG.(TMC) = 15.44m.



CE = 2594.38  
 CSA = 2594.29  
 CAB. ENT. = CAJA RECEPTORA  
 CAB. SAL. = CABEZAL NORMAL  
 S% = 0.50%  
 LONG.(MC) = 18.20m.



CE = 2613.09  
 CSA = 2612.38  
 CAB. ENT. = CABEZAL NORMAL  
 CAB. SAL. = CABEZAL DE GAVION  
 S% = 4.00%  
 LONG.(TMC) = 17.87m.



CE = 2589.77  
 CSA = 2589.41  
 CAB. ENT. = CAJA RECEPTORA  
 CAB. SAL. = CABEZAL NORMAL  
 S% = 2.00%  
 LONG.(TMC) = 17.87m.

REVISIONES	
N°	FECHA DESCRIPCION

HOB CONSULTORES S.A. ING. CESAR GUEVARA M. ING. RONI VENEROS GUTIERREZ