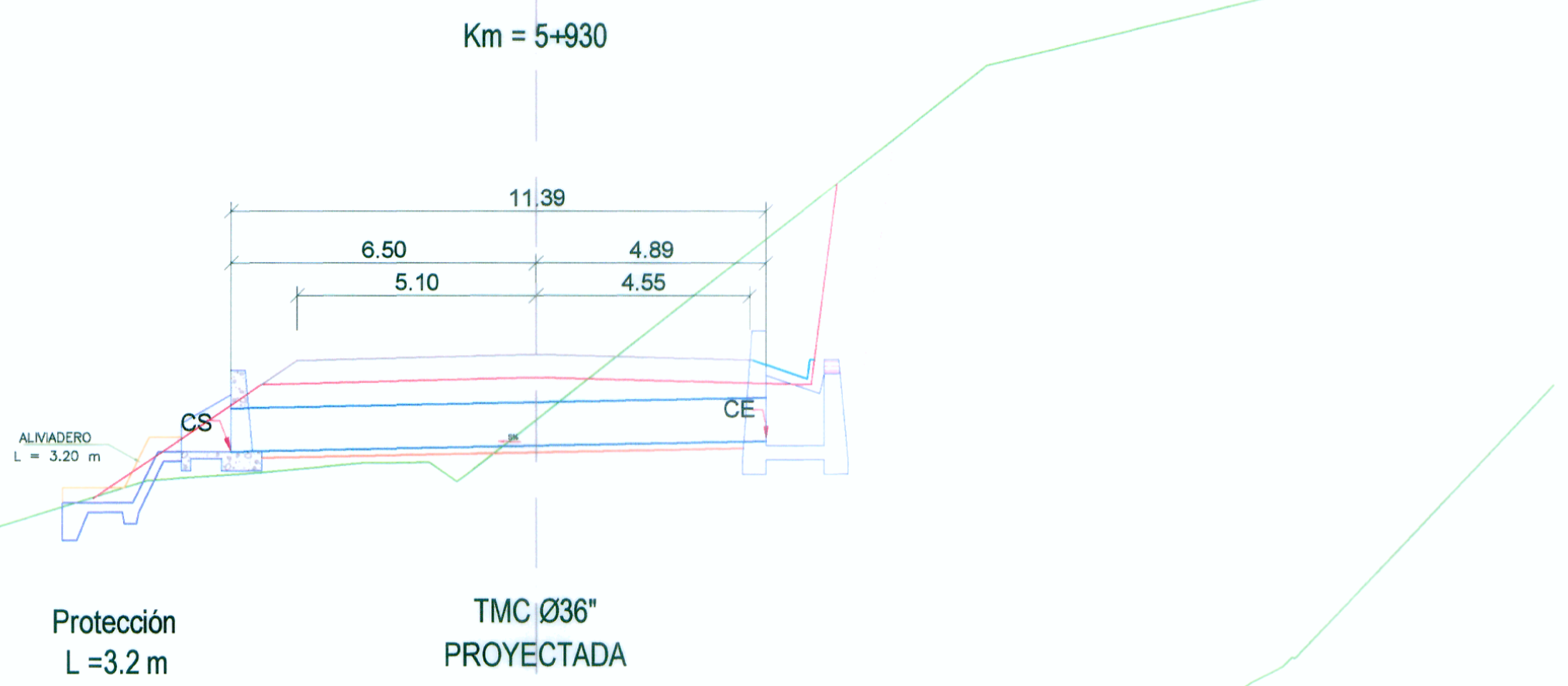
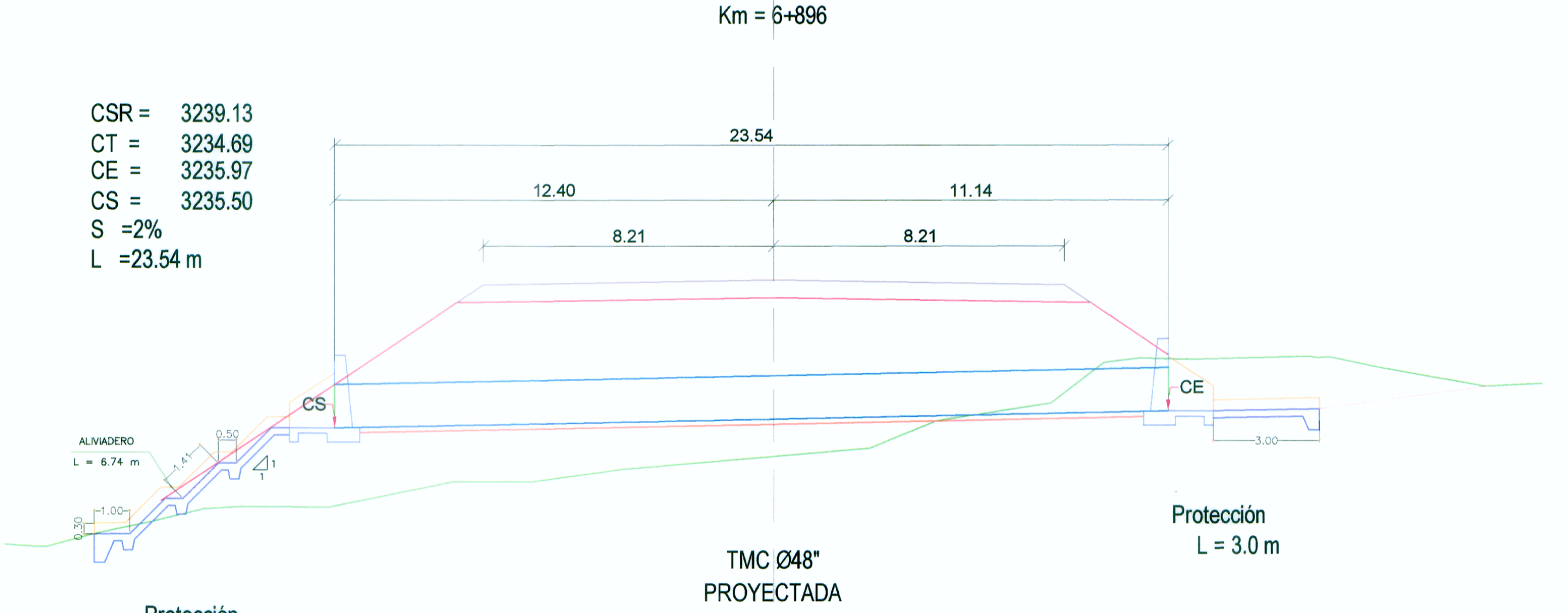


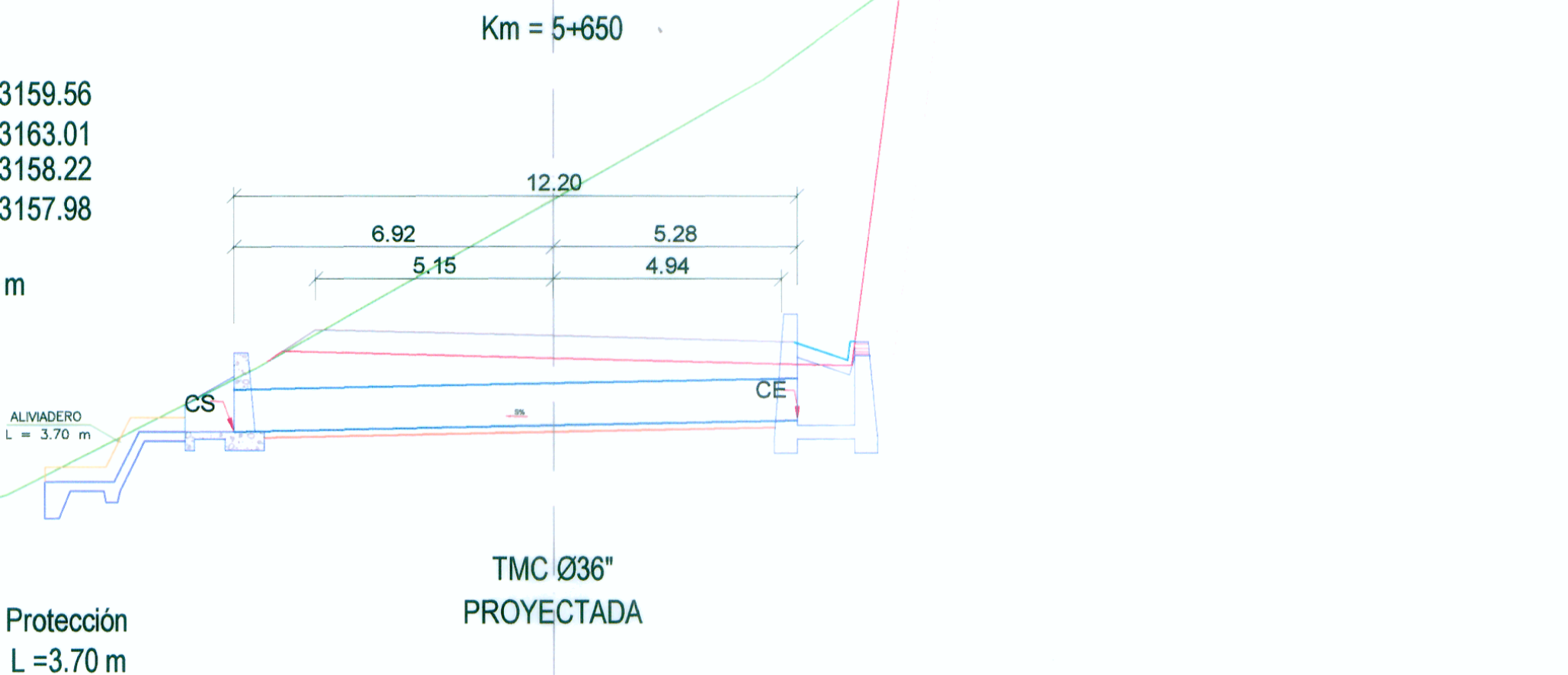
CSR = 3179.79
 CT = 3178.90
 CE = 3178.47
 CS = 3178.25
 S = 2%
 L = 11.39 m



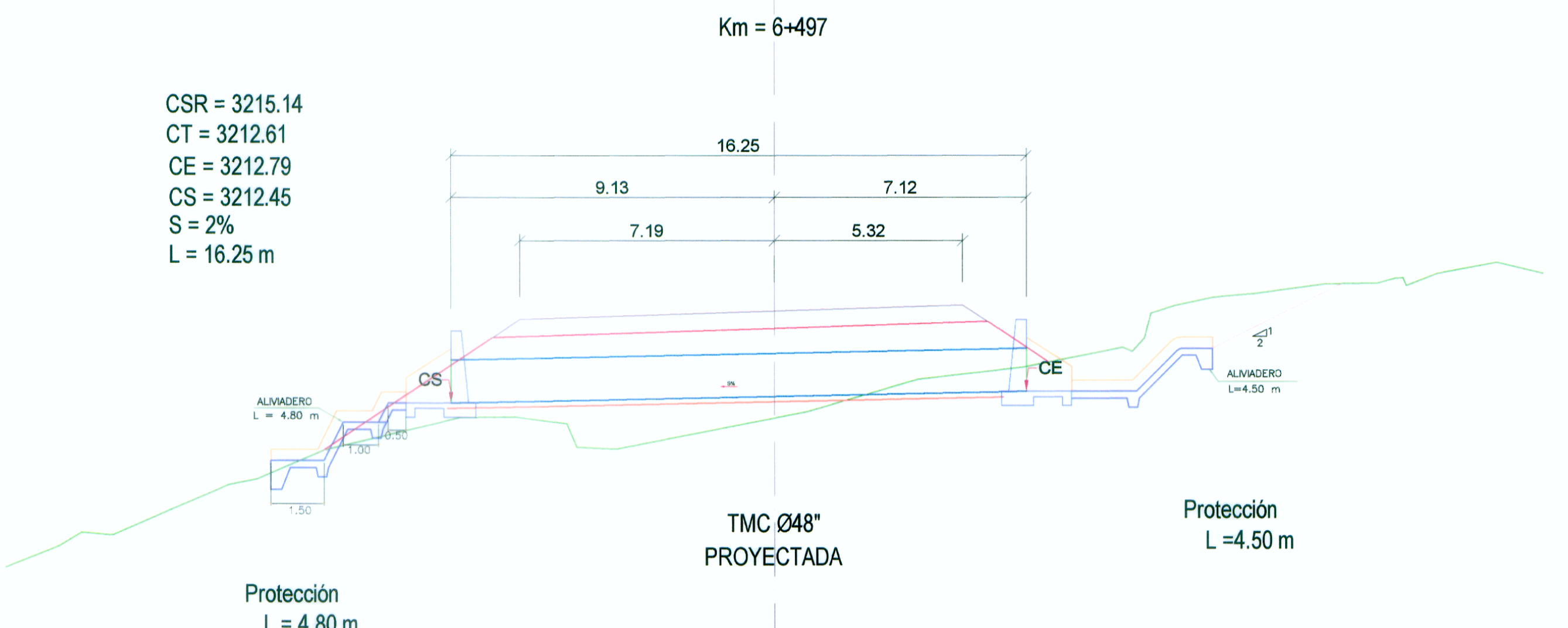
CSR = 3239.13
 CT = 3234.69
 CE = 3235.97
 CS = 3235.50
 S = 2%
 L = 23.54 m



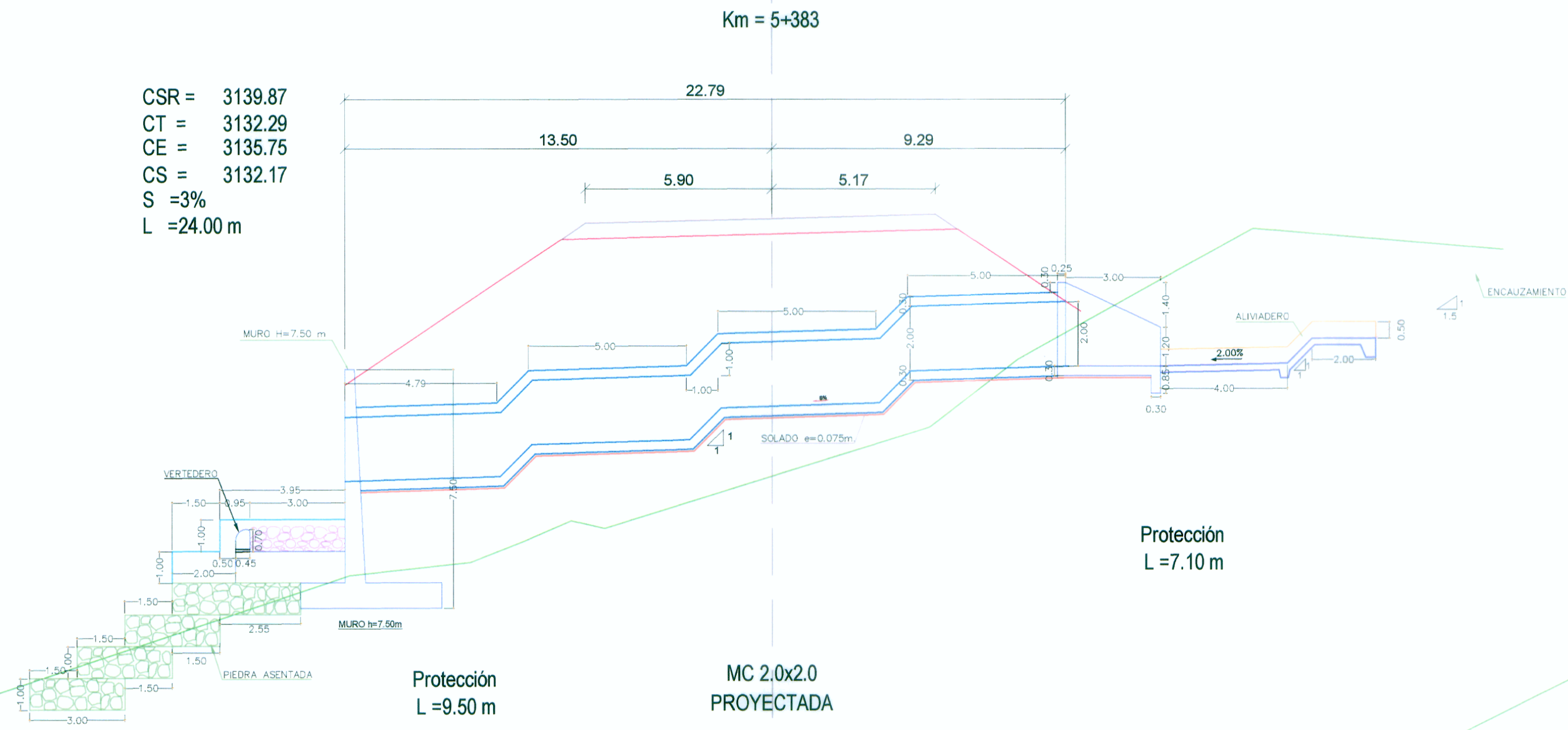
CSR = 3159.56
 CT = 3163.01
 CE = 3158.22
 CS = 3157.98
 S = 2%
 L = 12.20 m



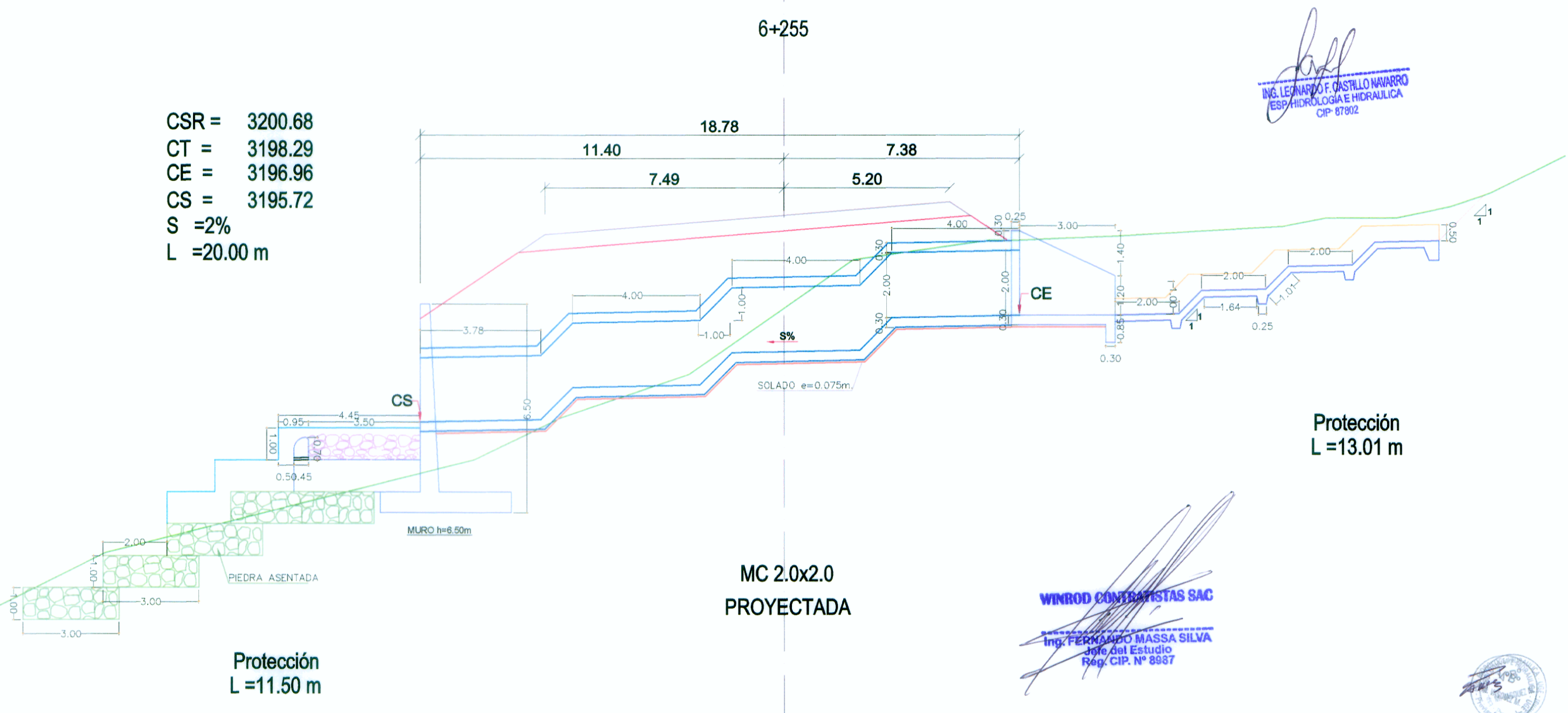
CSR = 3215.14
 CT = 3212.61
 CE = 3212.79
 CS = 3212.45
 S = 2%
 L = 16.25 m



CSR = 3139.87
 CT = 3132.29
 CE = 3135.75
 CS = 3132.17
 S = 3%
 L = 24.00 m



CSR = 3200.68
 CT = 3198.29
 CE = 3196.96
 CS = 3195.72
 S = 2%
 L = 20.00 m



Ing. Leonardo F. Castillo Muro
 Ing. Ferruccio Massa Silva
 CIP 8180

WINROD CONTRATISTAS SAC
 Ing. Ferruccio Massa Silva
 CIP 8987

REVISIONES	
Nº	FECHA