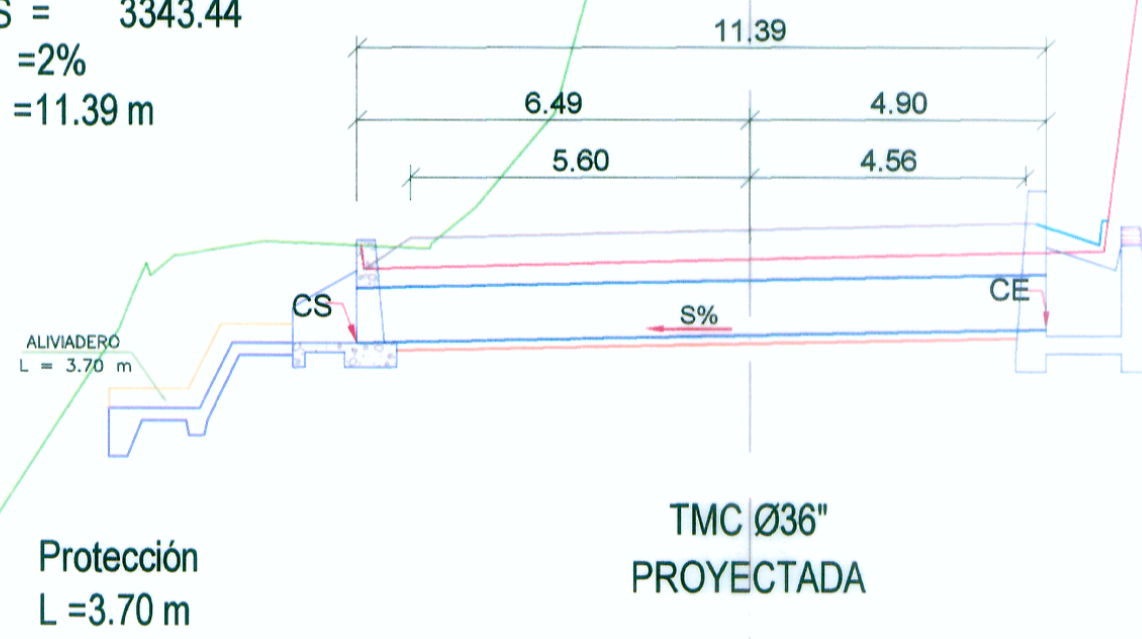
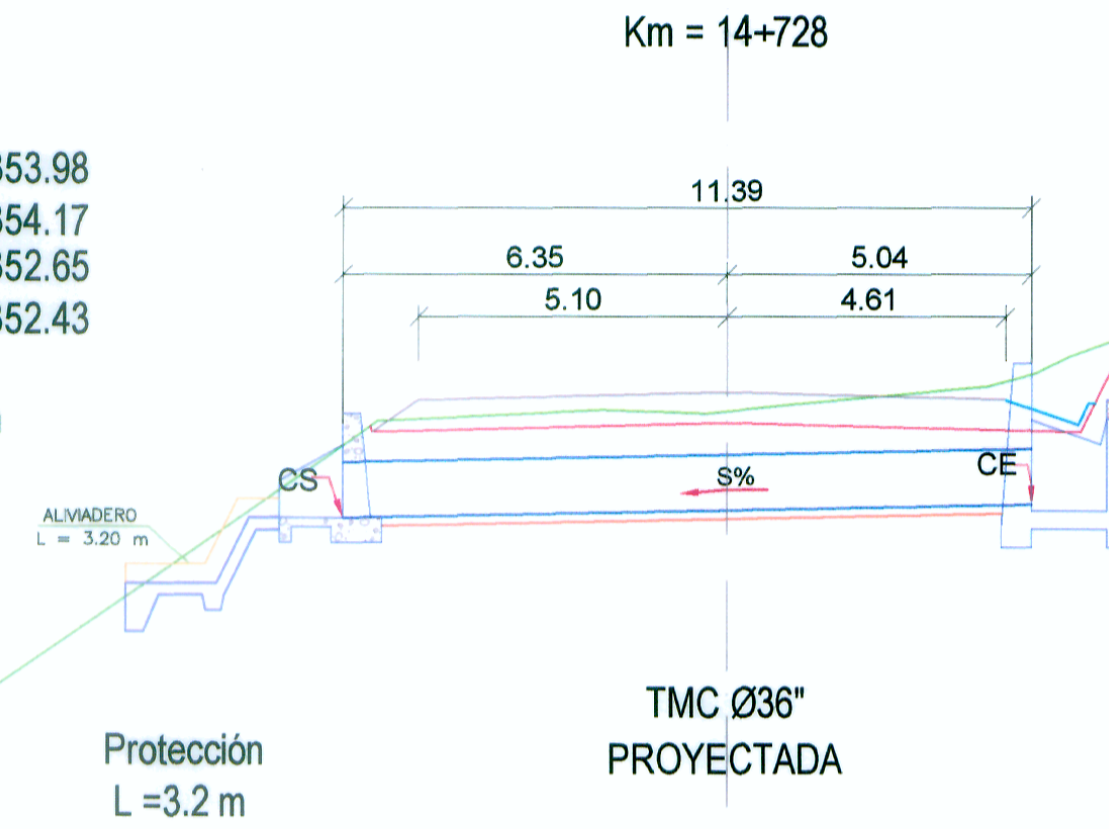


CSR = 3344.58
 CT = 3356.30
 CE = 3343.66
 CS = 3343.44
 S = 2%
 L = 11.39 m



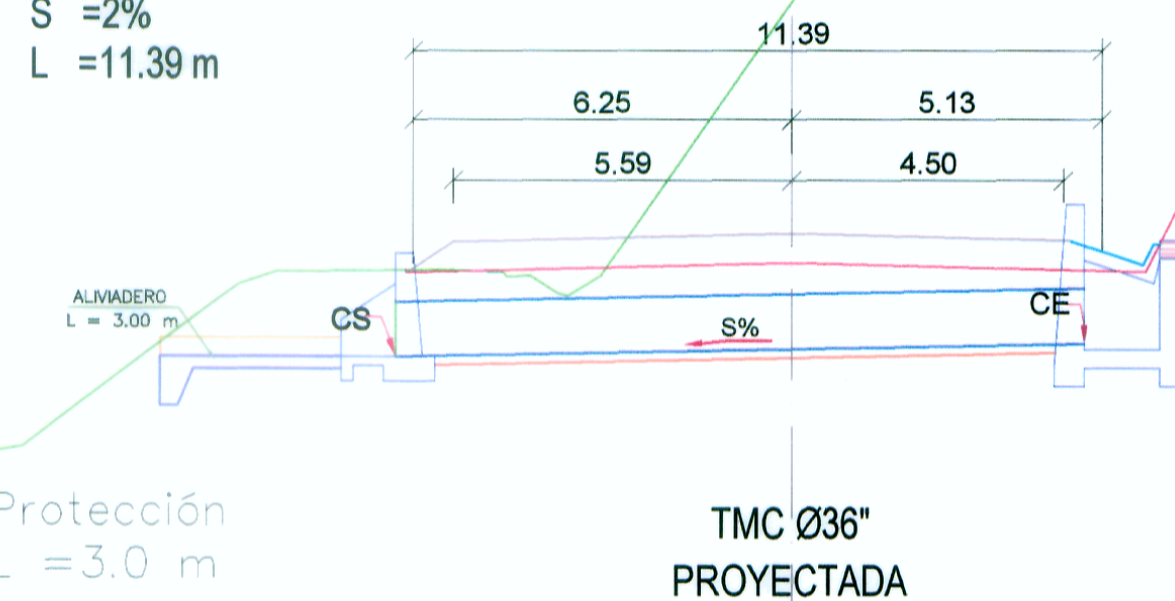
Km = 13+780

CSR = 3353.98
 CT = 3354.17
 CE = 3352.65
 CS = 3352.43
 S = 2%
 L = 11.34 m



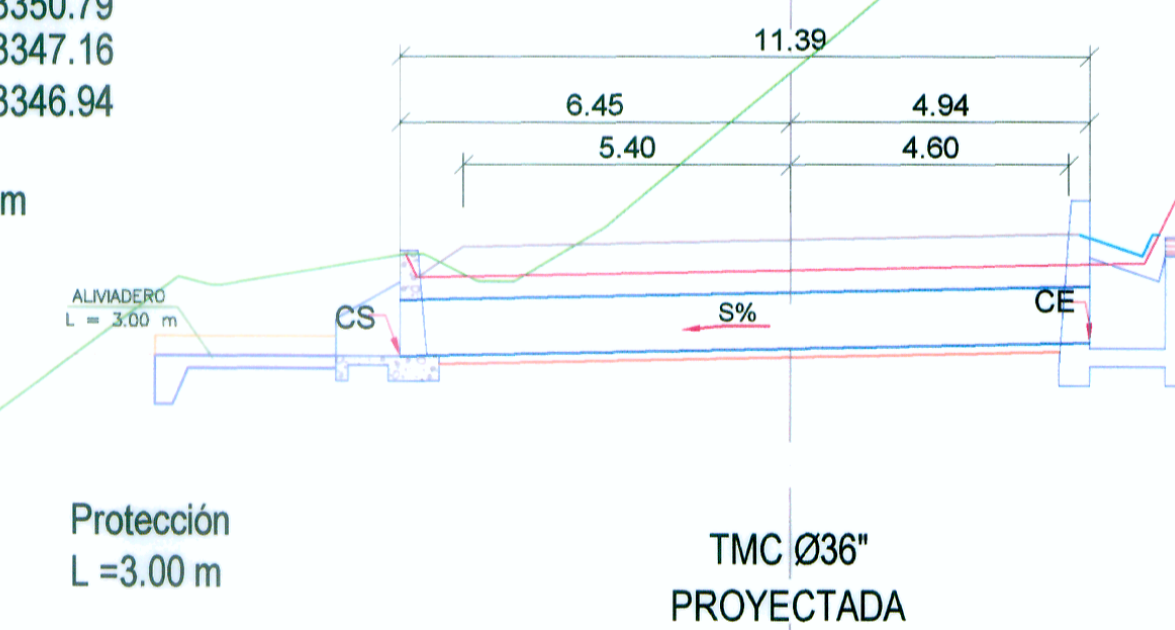
Km = 14+728

CSR = 3350.73
 CT = 3354.04
 CE = 3349.50
 CS = 3349.29
 S = 2%
 L = 11.39 m



Km = 14+400

CSR = 3347.55
 CT = 3350.79
 CE = 3347.16
 CS = 3346.94
 S = 2%
 L = 11.39 m



Km = 14+080

Leonardo Castillo
 ING. LEONARDO CASTILLO HERRERO
 ESP. HIDROLOGIA E HIDRAULICA
 CIP-87802

Fernando Massa
 WINROD CONTRATISTAS SAC
 Ing. FERNANDO MASSA SILVA
 Jefe del Estudio
 Reg. CIP. N° 5587

REVISIONES	
Nº	FECHA