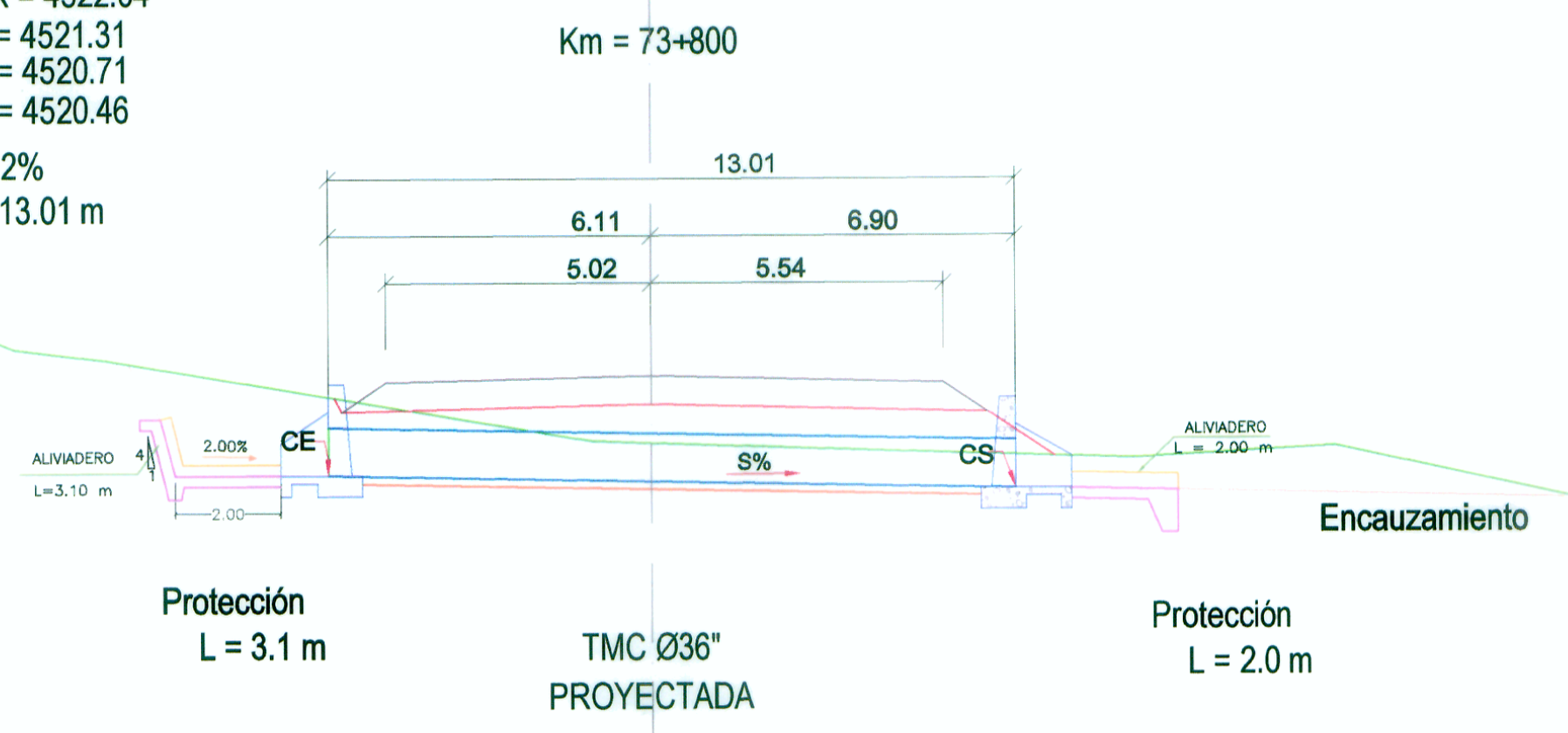
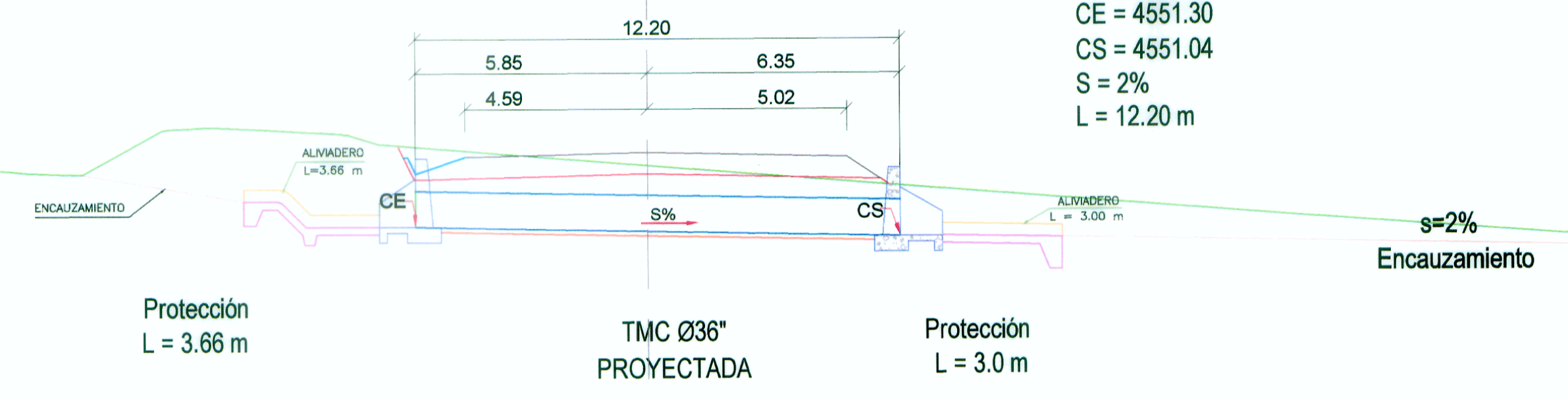


CSR = 4522.04  
 CT = 4521.31  
 CE = 4520.71  
 CS = 4520.46  
 S = 2%  
 L = 13.01 m

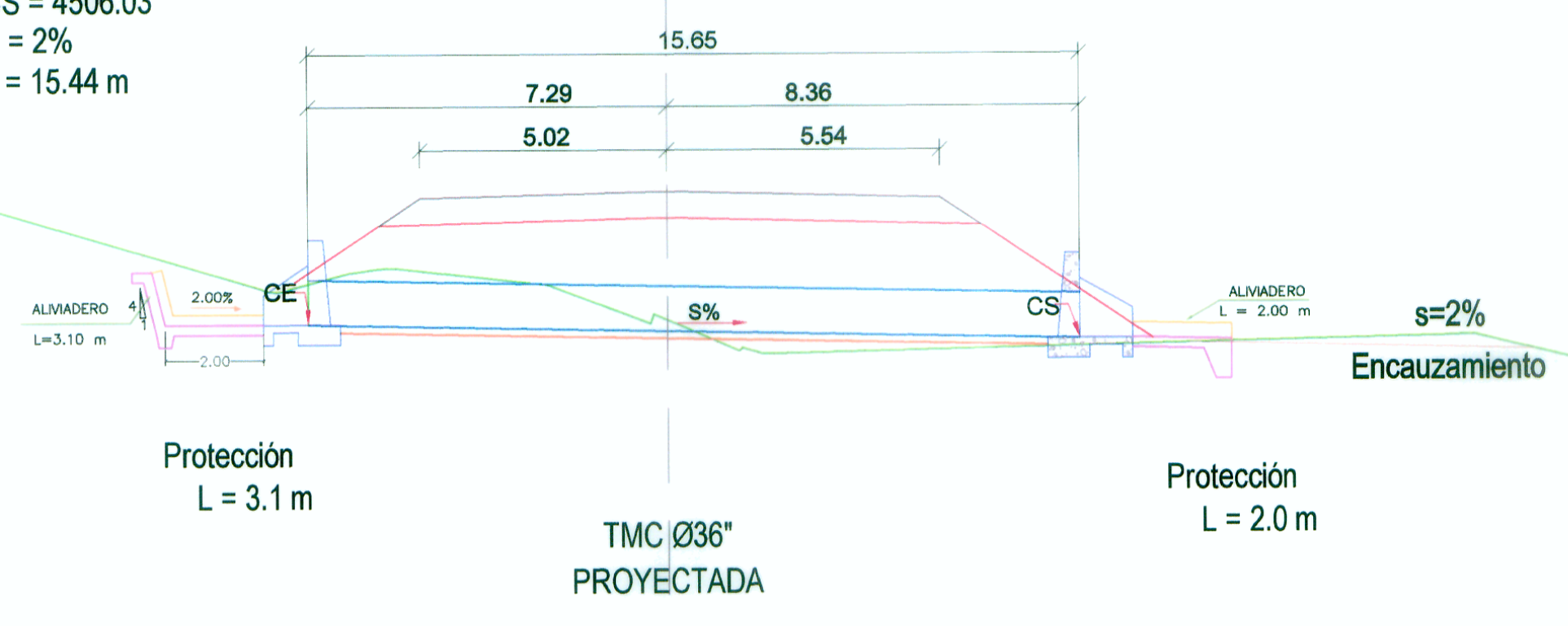


Km = 74+849

CSR = 4552.66  
 CT = 4552.81  
 CE = 4551.30  
 CS = 4551.04  
 S = 2%  
 L = 12.20 m

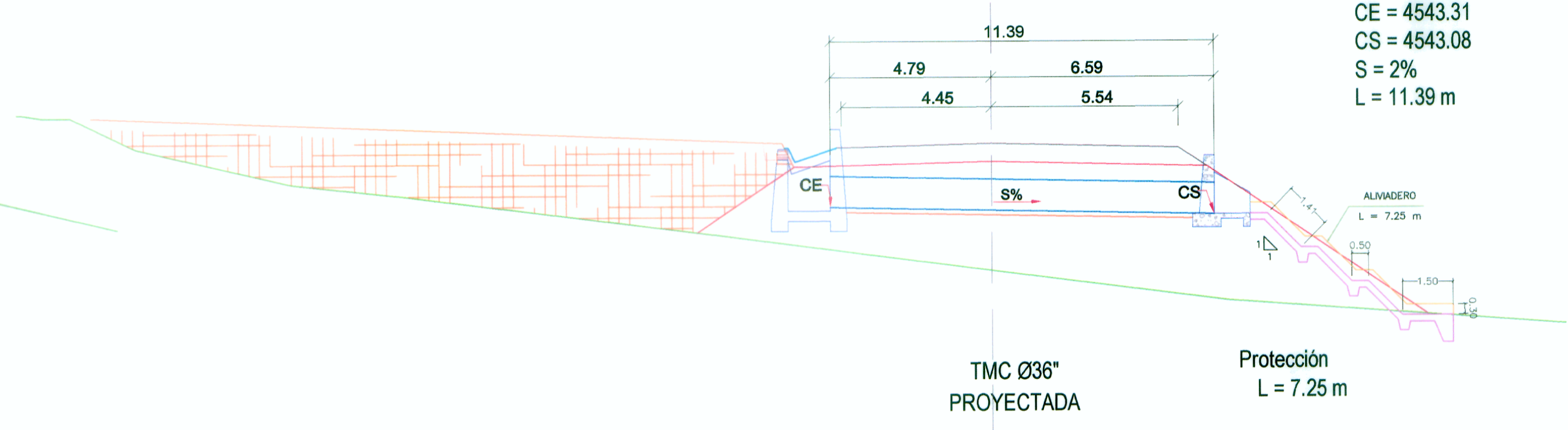


CSR = 4508.46  
 CT = 4506.40  
 CE = 4506.33  
 CS = 4506.03  
 S = 2%  
 L = 15.44 m

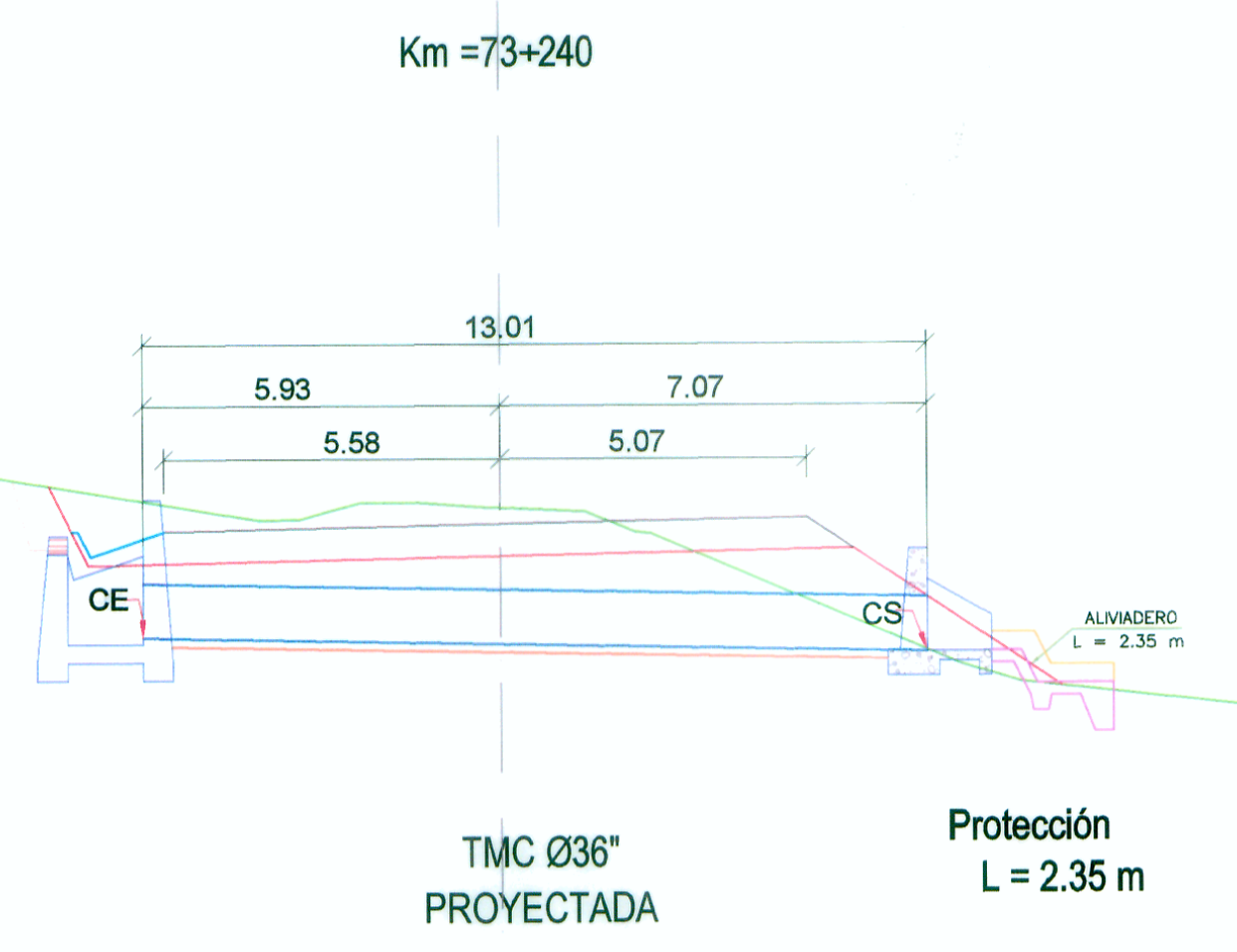


Km = 74+540

CSR = 4547.20  
 CT = 4544.03  
 CE = 4543.31  
 CS = 4543.08  
 S = 2%  
 L = 11.39 m

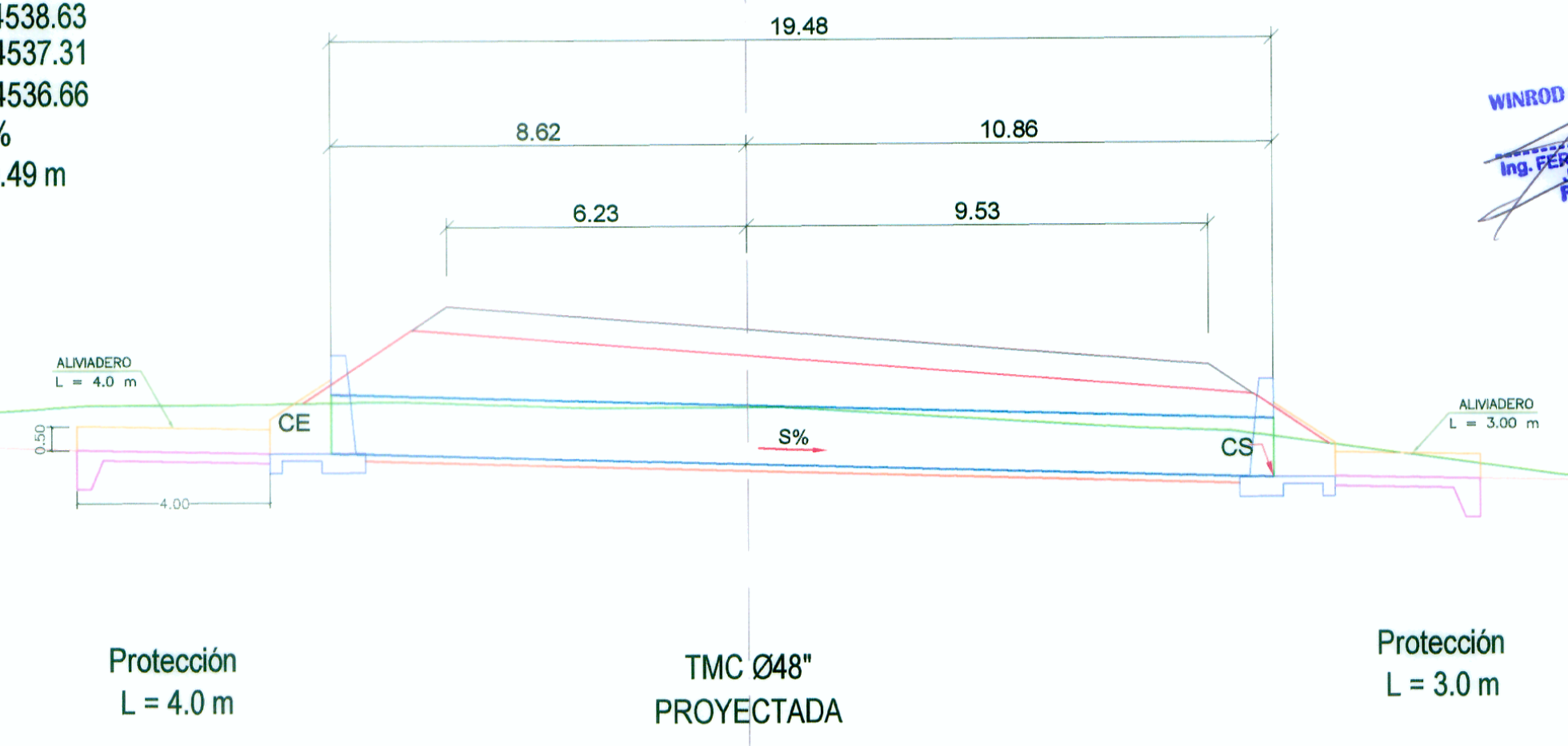


CSR = 4492.45  
 CT = 4493.26  
 CE = 4503.44  
 CS = 4503.14  
 S = 2%  
 L = 13.01 m



Km = 74+140

CSR = 4539.69  
 CT = 4538.63  
 CE = 4537.31  
 CS = 4536.66  
 S = 3%  
 L = 19.49 m



ING. LEONARDO CASTILLO MARRERO  
 ESPECIALISTA EN INGENIERIA MECANICA  
 CP-07862

WINROD CONTRATISTAS S.A.C.  
 ING. FERNANDO MASSA S.  
 JEFE DE ESTUDIO  
 REG. CIP. N° 8887



REVISIONES	
Nº	FECHA