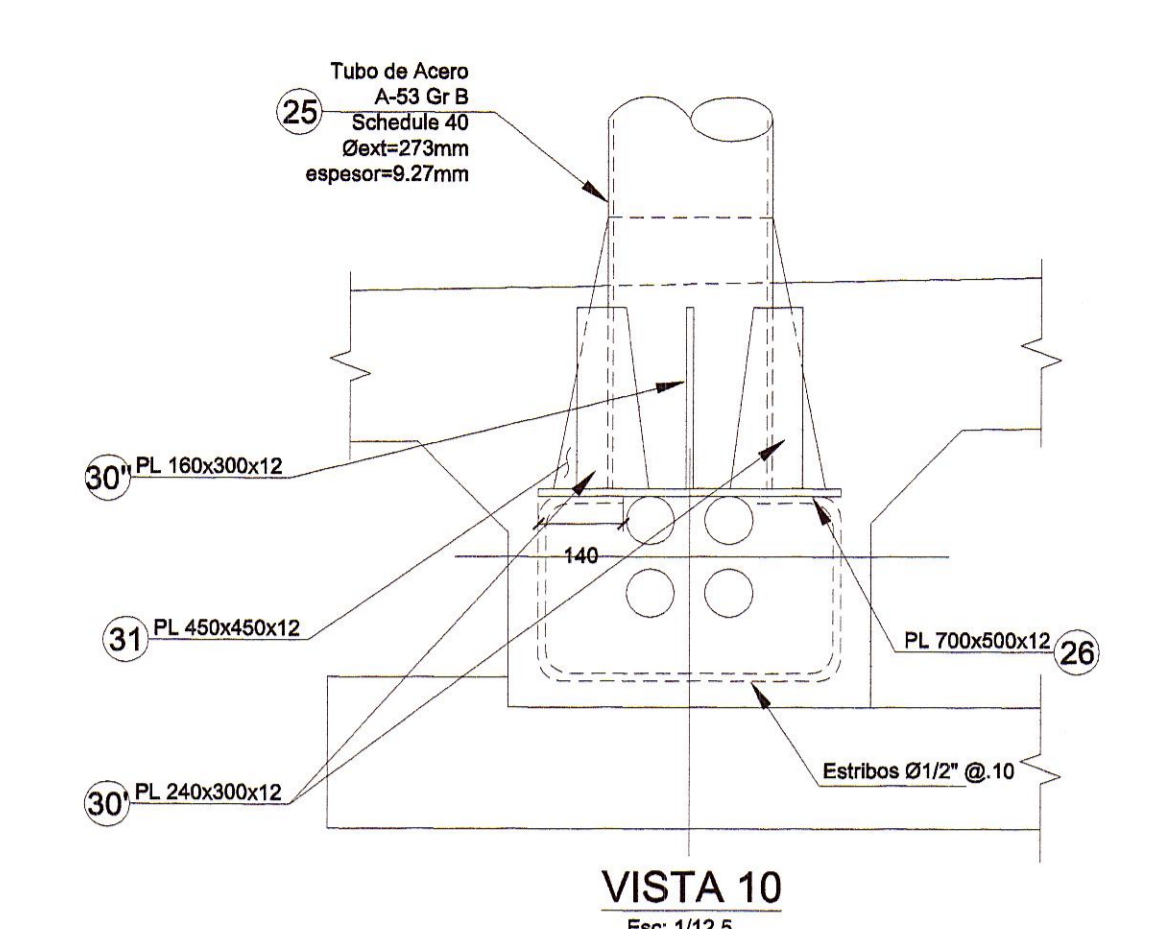
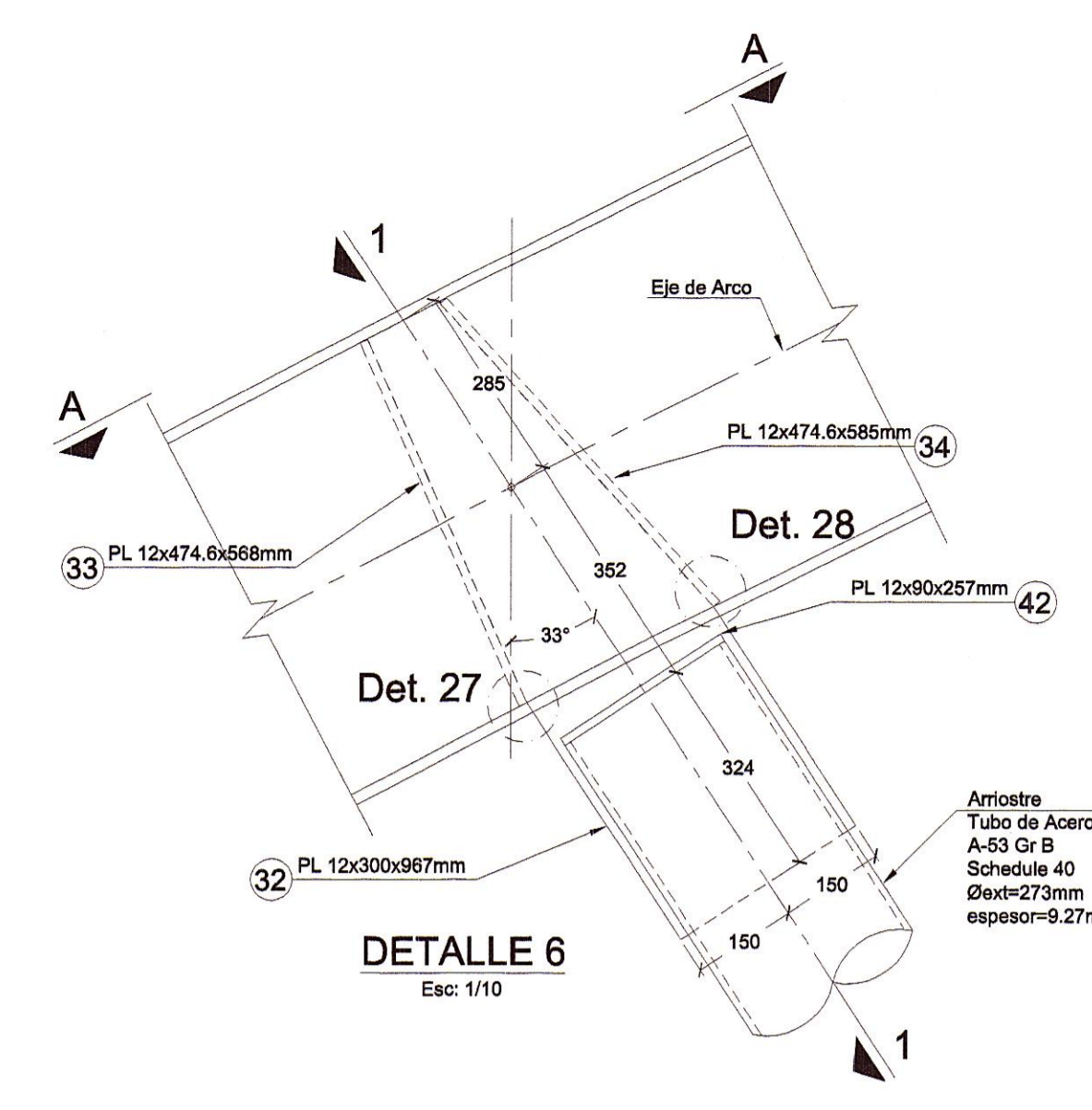


DETALLE 5
Esc: 1/12.5

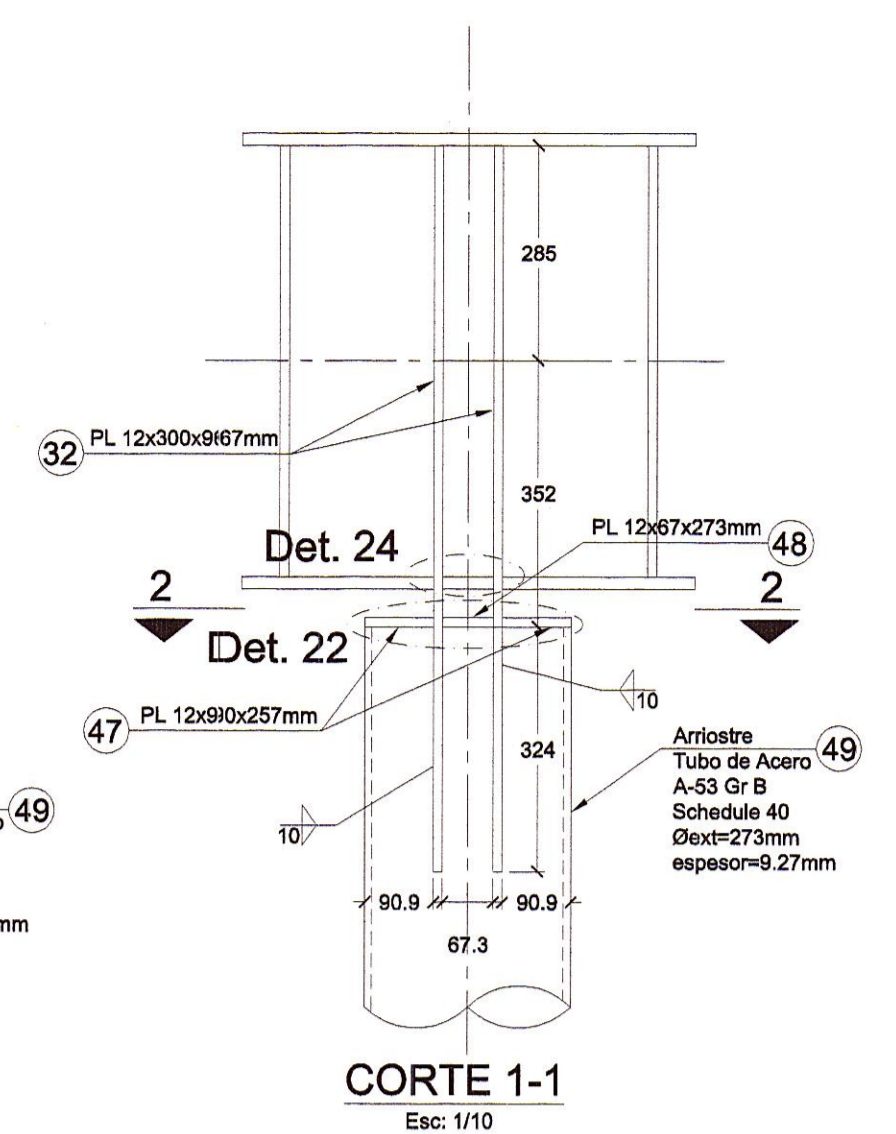


VISTA 10
Esc: 1/12.5

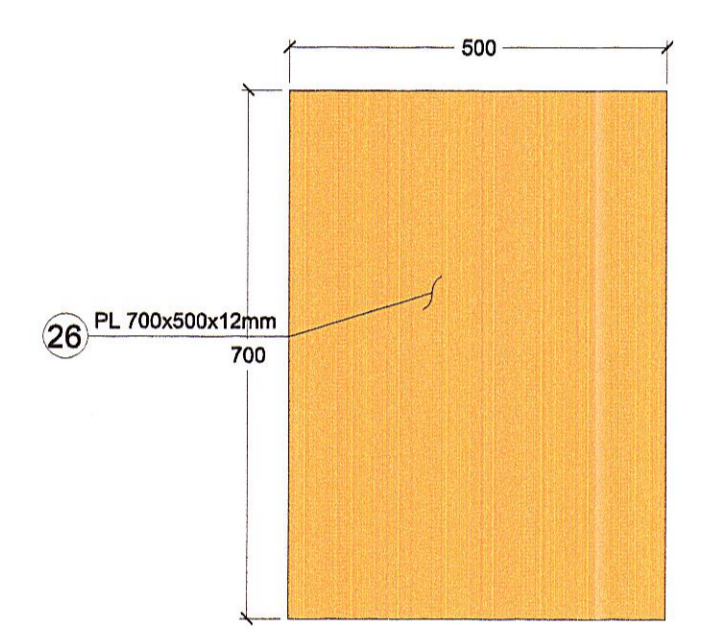
VISTA 9
Esc: 1/12.5



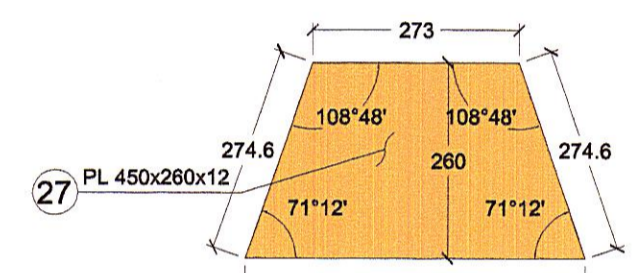
DETALLE 6
Esc: 1/10



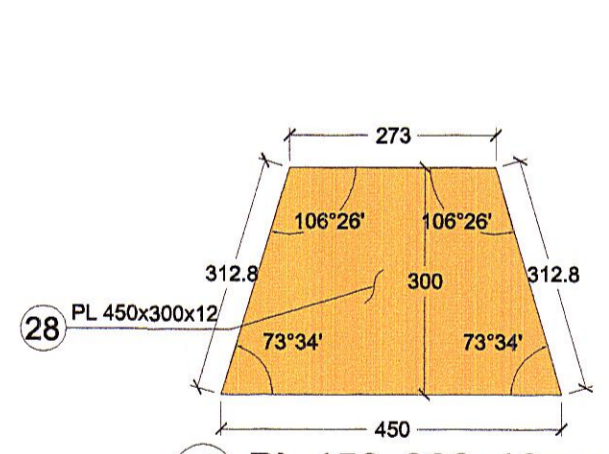
CORTE 1-1
Esc: 1/10



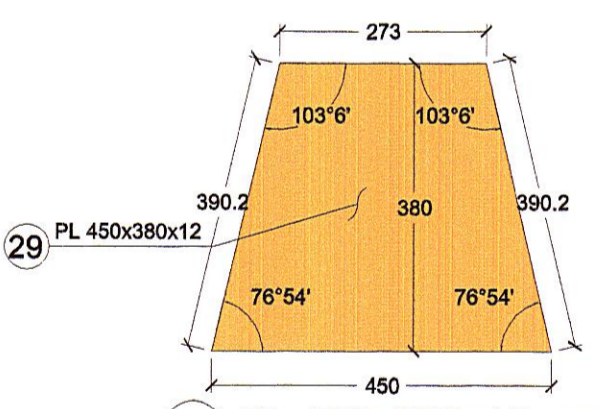
26 PL 700x500x12mm
ESC: 1/10



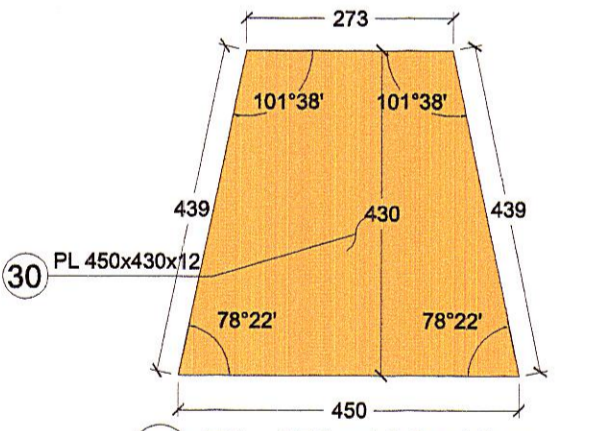
27 PL 450x260x12mm
ESC: 1/10



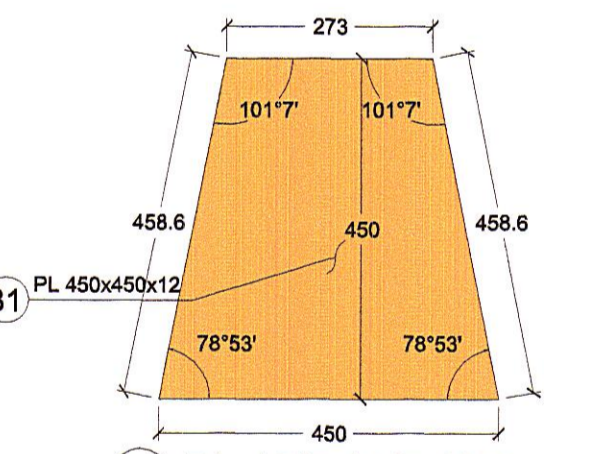
28 PL 450x300x12mm
ESC: 1/10



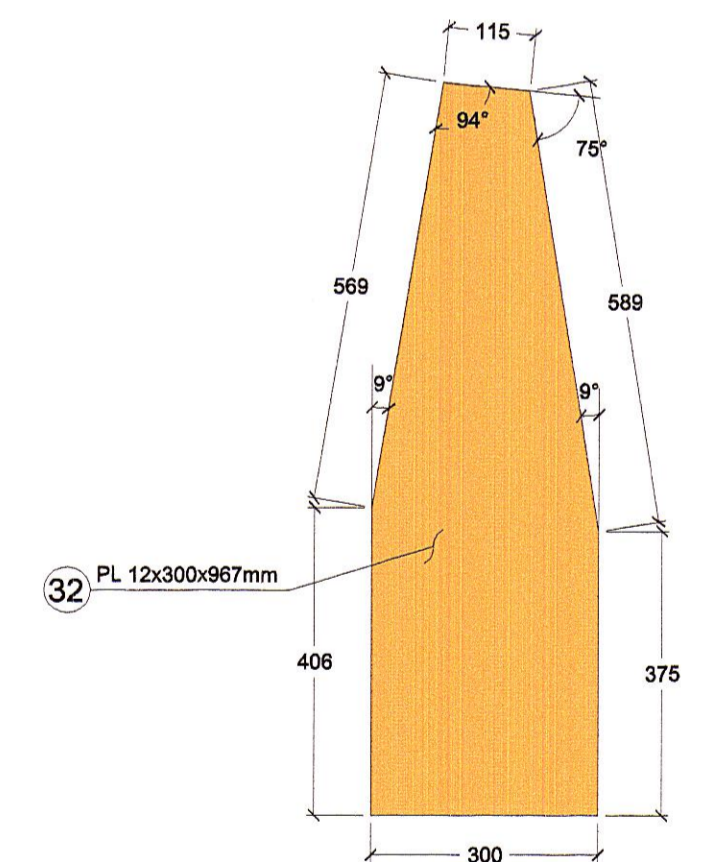
29 PL 450x380x12mm
ESC: 1/10



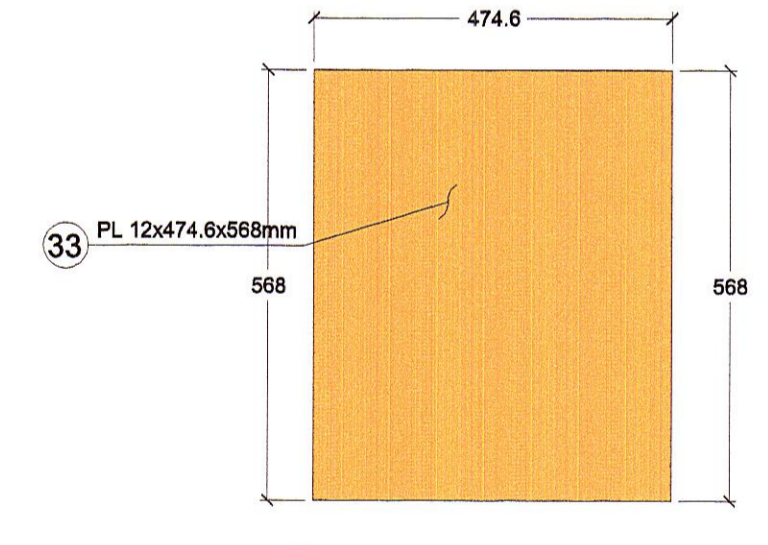
30 PL 450x430x12mm
ESC: 1/10



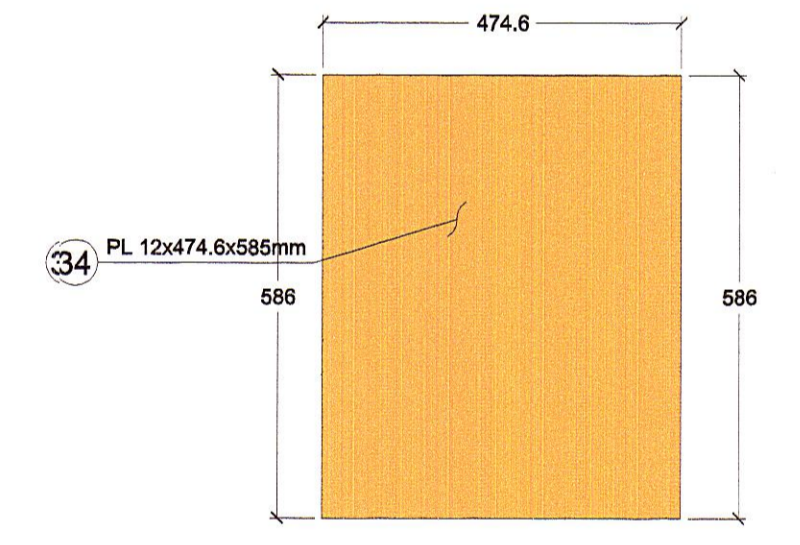
31 PL 450x450x12mm
ESC: 1/10



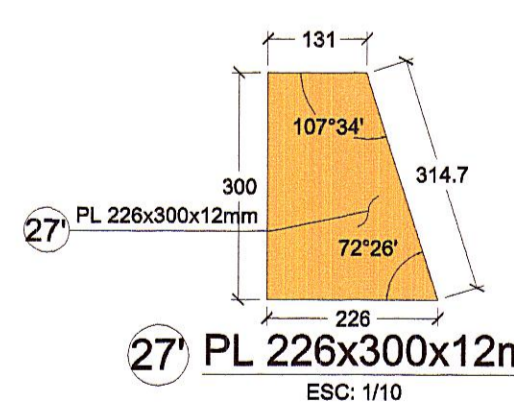
32 PL 12x300x967mm
ESC: 1/10



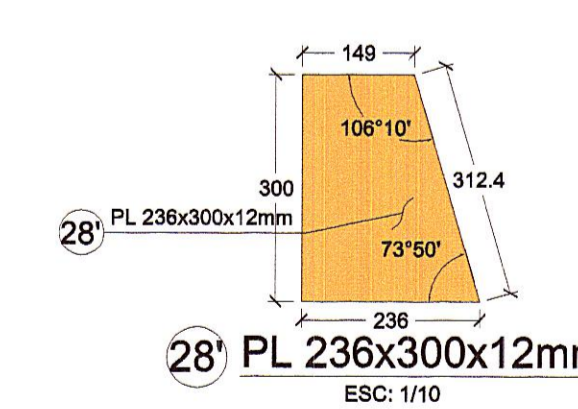
33 PL 12x474.6x585mm
ESC: 1/10



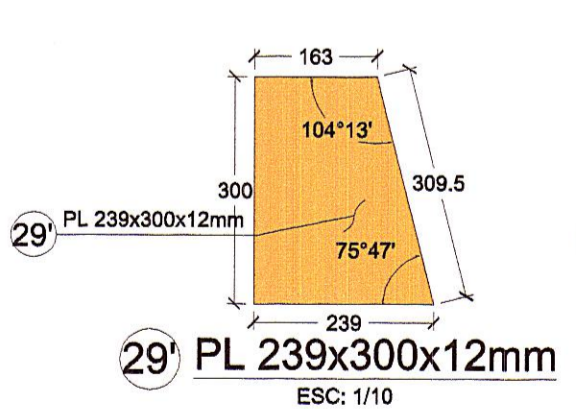
34 PL 12x474.6x585mm
ESC: 1/10



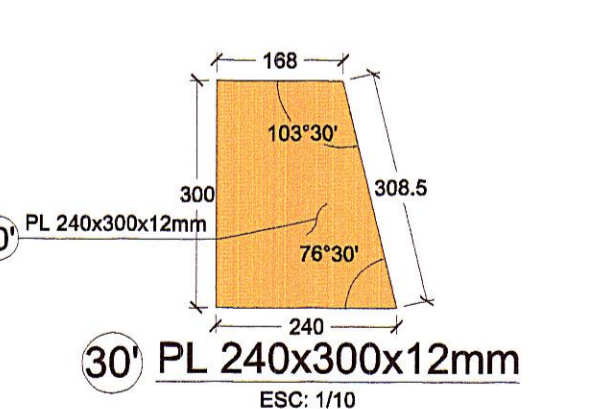
27 PL 226x300x12mm
ESC: 1/10



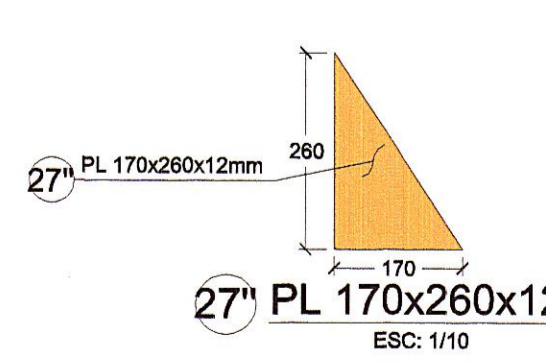
28 PL 236x300x12mm
ESC: 1/10



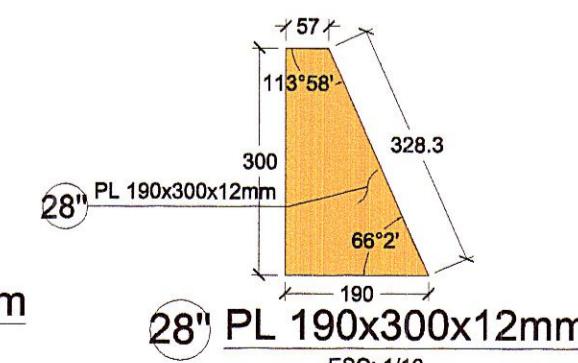
29 PL 239x300x12mm
ESC: 1/10



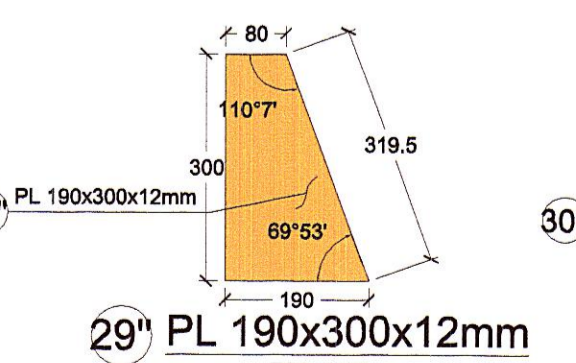
30 PL 240x300x12mm
ESC: 1/10



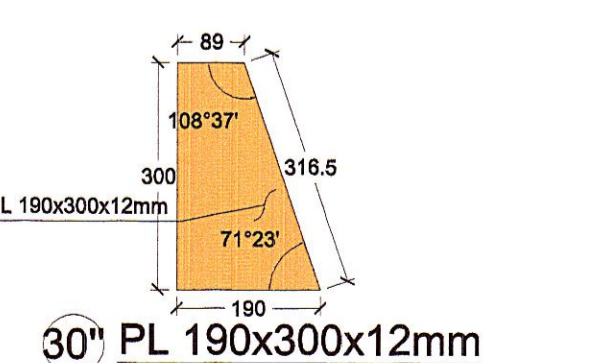
27 PL 170x260x12mm
ESC: 1/10



28 PL 190x300x12mm
ESC: 1/10



29 PL 190x300x12mm
ESC: 1/10



30 PL 190x300x12mm
ESC: 1/10

METRADO DE ESTRUCTURA METALICA - UNION BRIDA INFERIOR

ITEM	CANT.	DESCRIPCION	LONG.(m)	PESO (kg)
22	12	Tubo Schedule 40 Øext=273mm e = 9.27mm L=0.775m	9.3400	560.70
23	8	Tubo Schedule 40 Øext=273mm e = 9.27mm L=0.748m	5.9184	360.78
24	8	Tubo Schedule 40 Øext=273mm e = 9.27mm L=0.737m	5.8196	355.47
25	8	Tubo Schedule 40 Øext=273mm e = 9.27mm L=0.733m	5.8164	530.31
TOTAL				1630.48

Handwritten signature
 Ing. Víctor Sánchez Moya
 Reg. CIP 52220
 ESPECIALISTA ESTRUCTURAL

Handwritten signature
 Ing. Víctor Sánchez Moya
 Reg. CIP 52220
 ESPECIALISTA ESTRUCTURAL

Handwritten signature
 Ing. Víctor Sánchez Moya
 Reg. CIP 52220
 ESPECIALISTA ESTRUCTURAL